

# K-BXA/R Weldable Box

Type: Mortise

Dimensions: 2 7/16" W x 7" H x 1 13/16" D

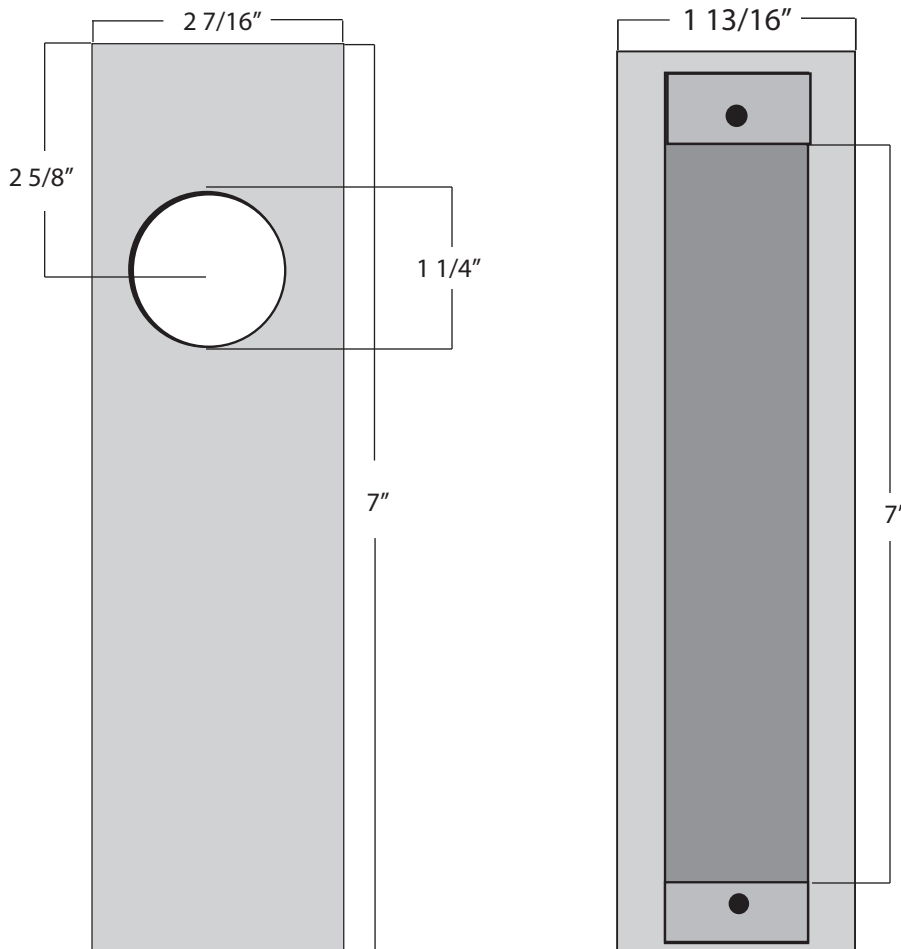
Backset: 1 1/8"

Materials Available:

14 Gauge Steel.....K-BXA/R

.125 Gauge Aluminum..K-BXA/R-AL

Notes: Narrow Style



www.keeDEX.com • 714-993-4300

This rendering is NOT to scale and dimensions are NOT exact. For precise technical information, please refer to the template for the lock you are using.