

# K-BXSGL Weldable Box

Type: Mortise

Dimensions:

4 1/2 "W x 3 1/2"H x 1 5/8"D

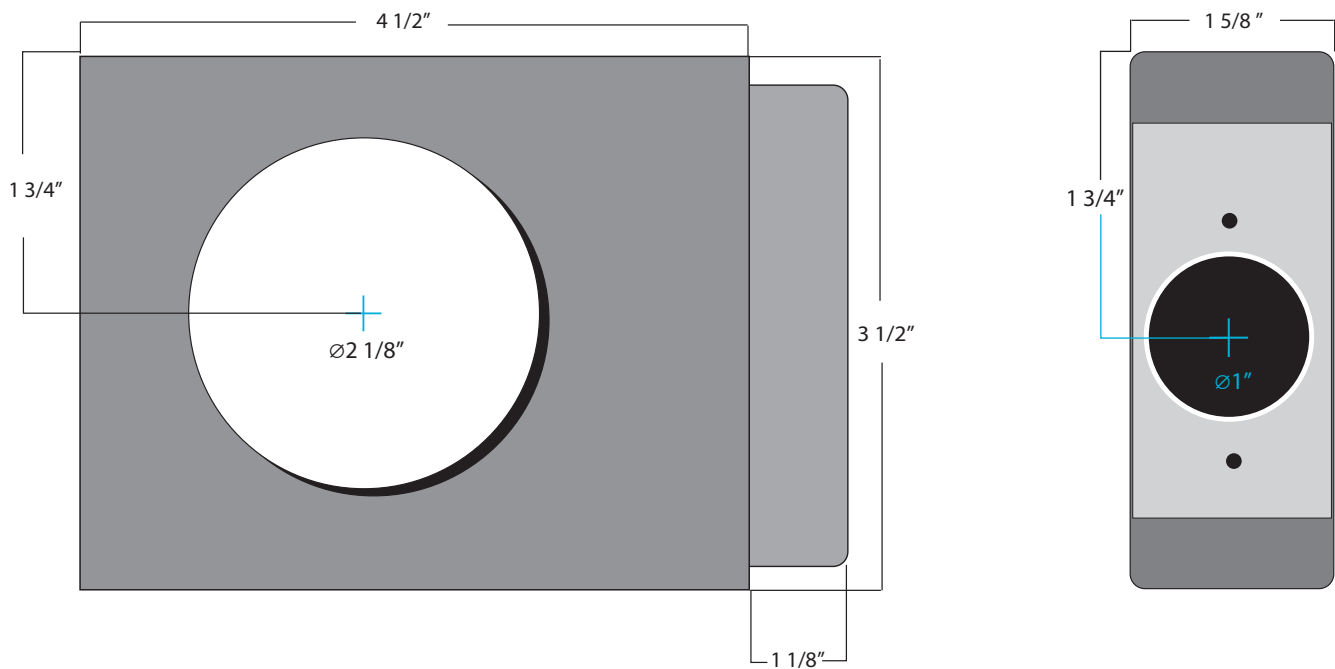
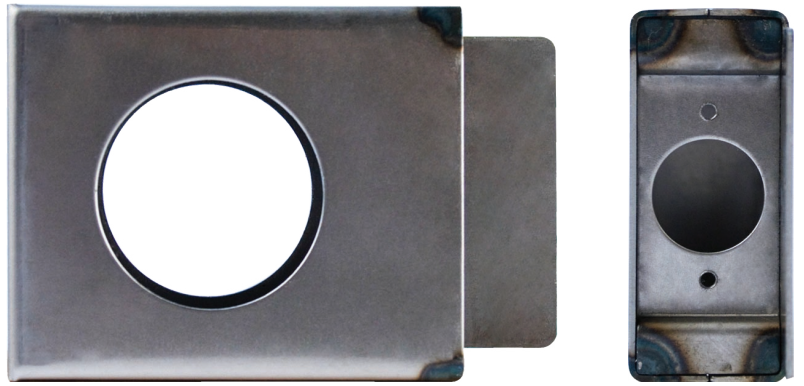
Backset: 2 3/4"

Materials Available:

14 Gauge Steel.....K-BXSGL

.125 Aluminum.....K-BXSGL-AL

Notes: Universal Knob Applications



www.keedex.com • 714-993-4300

This rendering is NOT to scale and dimensions are NOT exact. For precise technical information, please refer to the template for the lock you are using.