

K-BXA/R-EC Weldable Box

Type: Mortise

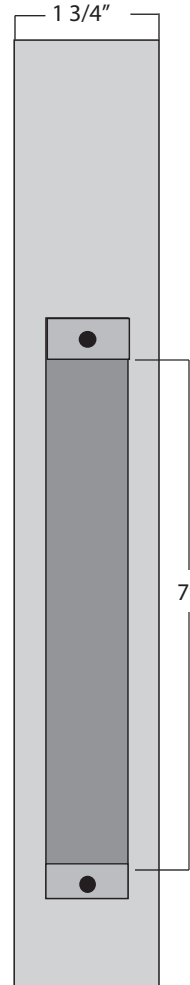
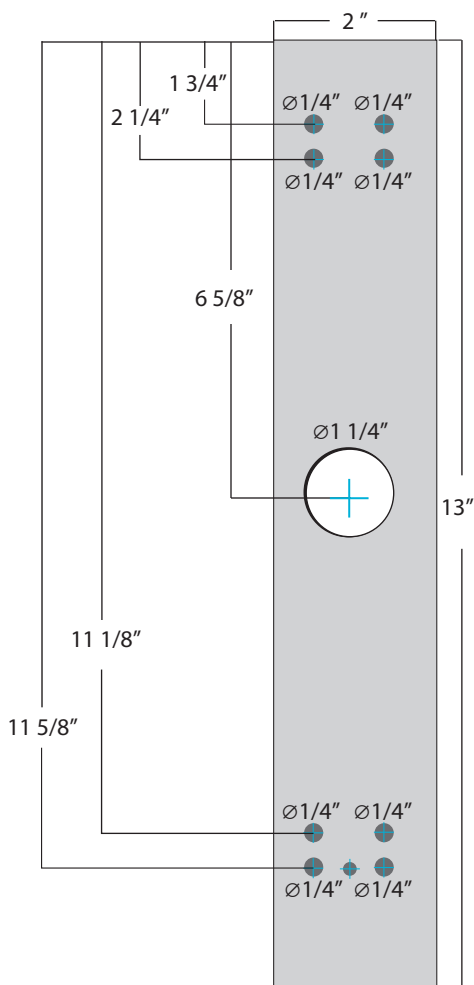
Dimensions: 2 "W x 13"H x 1 3/4"D

Backset: 1 1/8"

Materials Available:

14 Gauge Steel.....K-BXA/R-EC

Notes: Narrow Style



www.keedex.com • 714-993-4300

This rendering is NOT to scale and dimensions are NOT exact. For precise technical information, please refer to the template for the lock you are using.