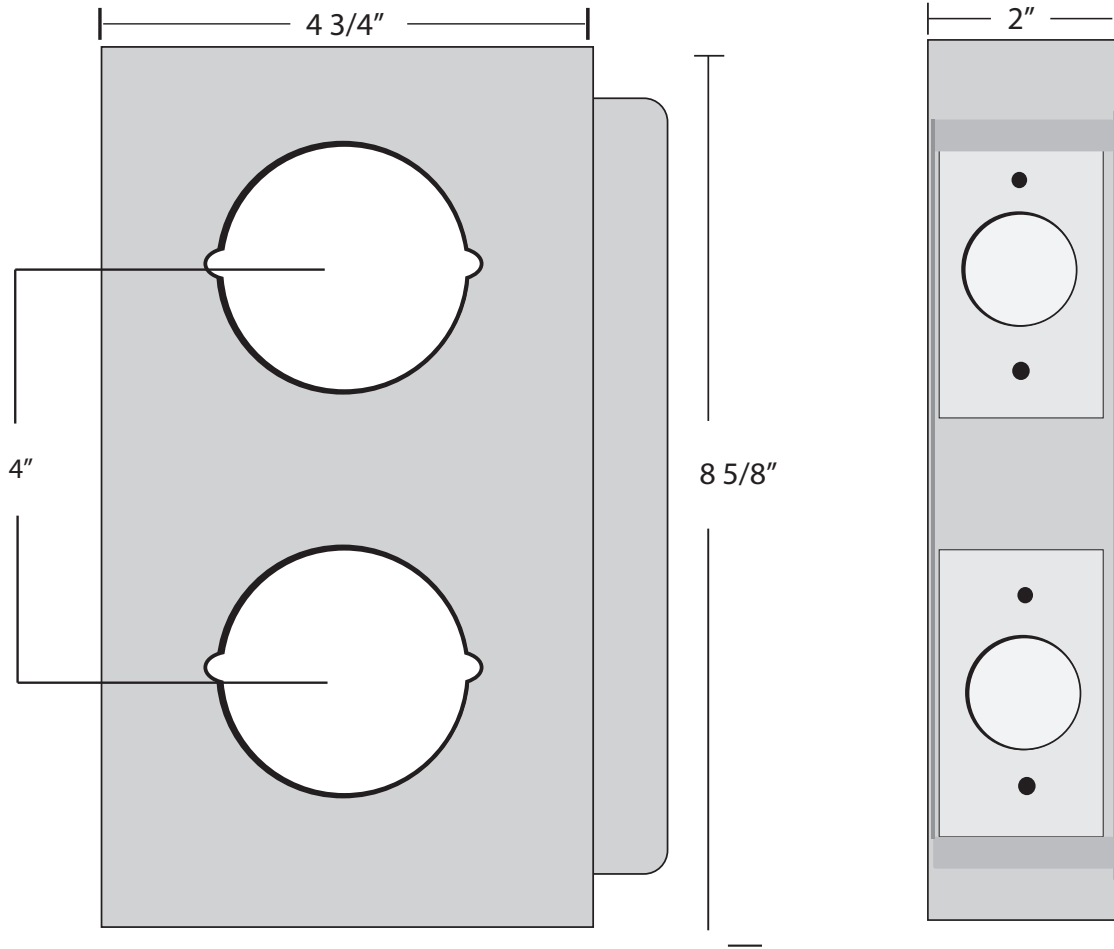


K-BXDBL234-2W



K-BXDBL234-2W Weldable Box

Type: $2 \frac{1}{8}$ " Cylindrical

Dimensions:

$4 \frac{3}{4}$ " W x $8 \frac{5}{8}$ " H x 2 " D

Backset: $2 \frac{3}{4}$ "

Materials Available:

14 Gauge Steel.....K-BXDBL234-2W

Notes: center to center 4 "

