

K-BXWIN Weldable Box

Type: Cylindrical

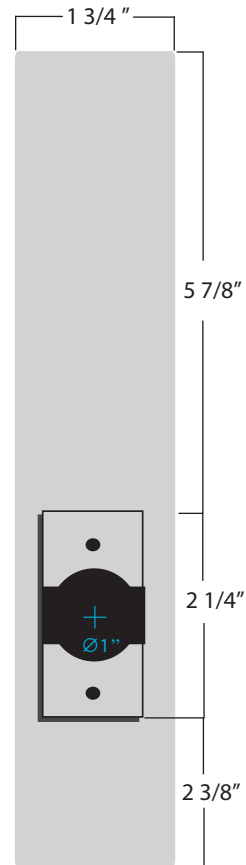
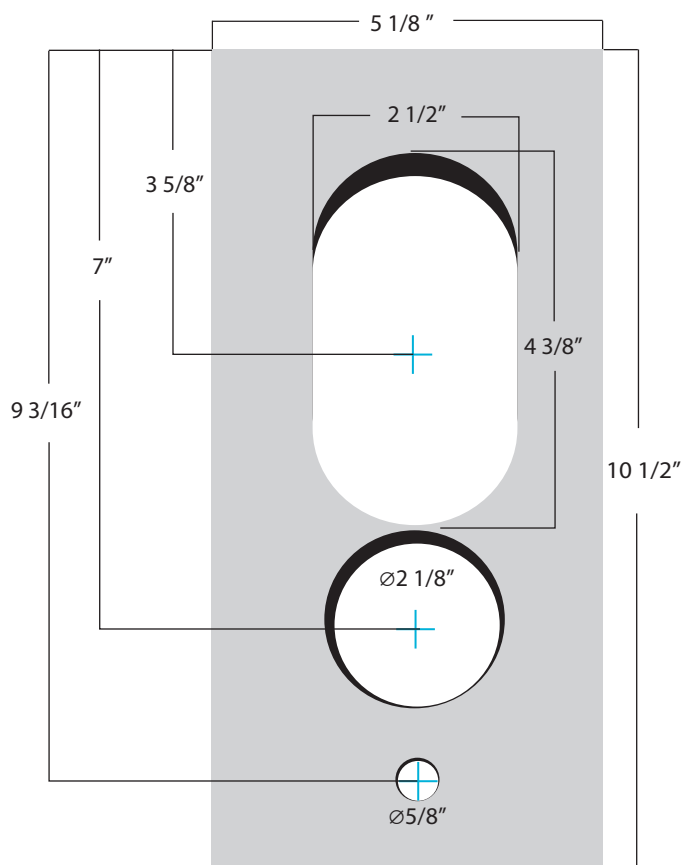
Dimensions:

5 1/8" W x 10 1/2" H x 1 3/4" D

Backset: 2 3/4"

Materials Available:

14 Gauge Steel.....K-BXULT



www.keedex.com • 714-993-4300

This rendering is NOT to scale and dimensions are NOT exact. For precise technical information, please refer to the template for the lock you are using.