

# K-BXMORD

## Weldable Gate Box

Type: Mortise

Dimensions:

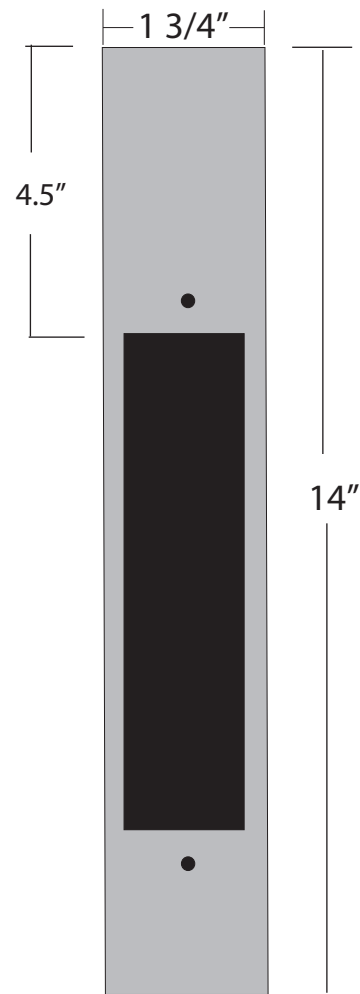
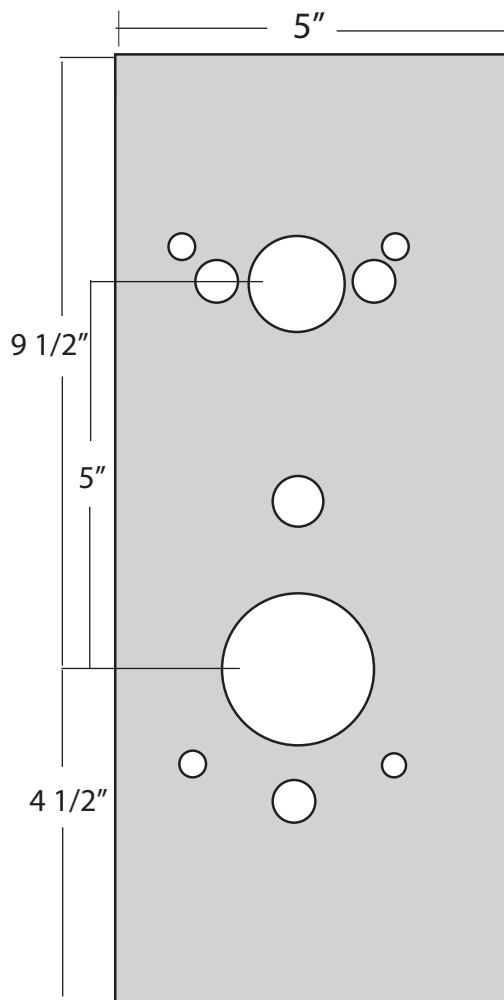
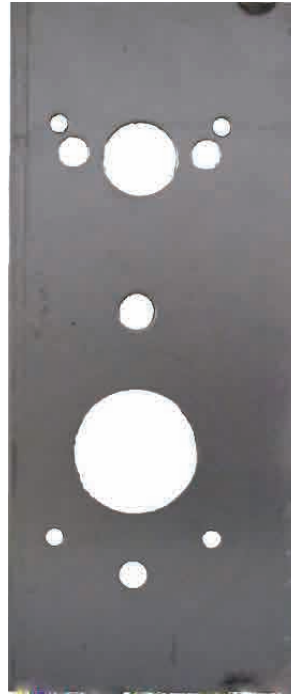
5"W x 14"H x 1 3/4"D

2 3/4" Backset

Materials Available:

14 Gauge Steel.....K-BXMORD

.125 Aluminum.....K-BXMORD-AL



[www.keeDEX.com](http://www.keeDEX.com) • 714-630-0800

This rendering is NOT to scale and dimensions are NOT exact. For precise technical information, please refer to the template for the lock you are using.