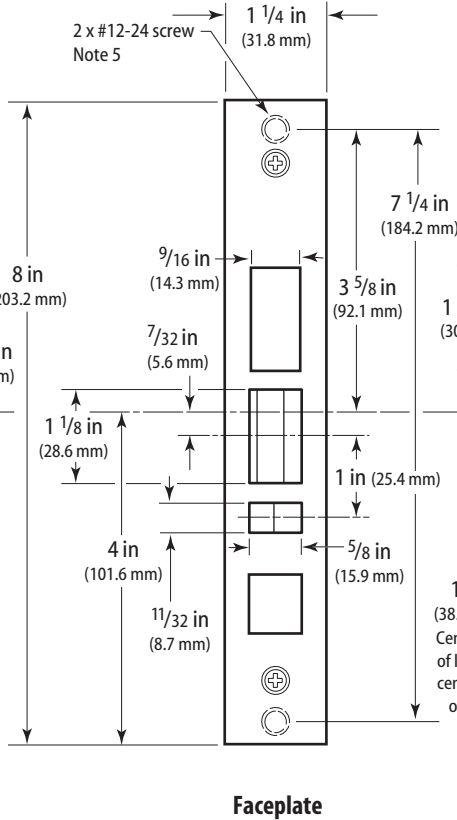
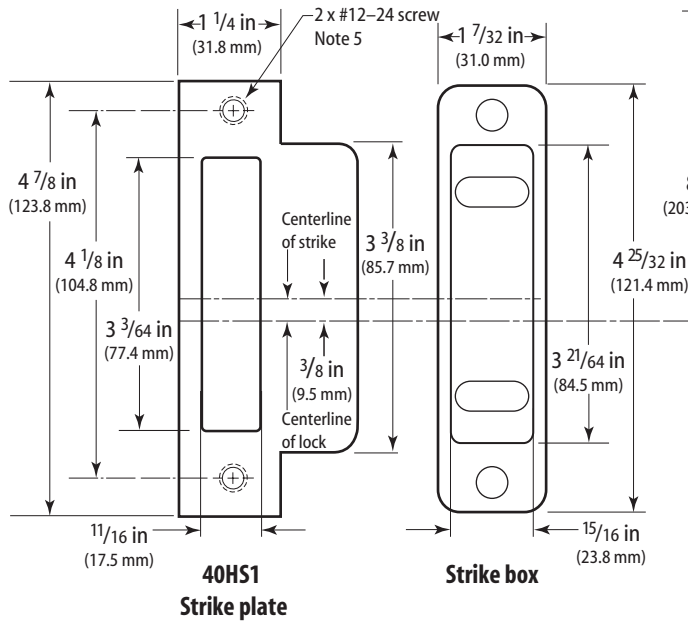
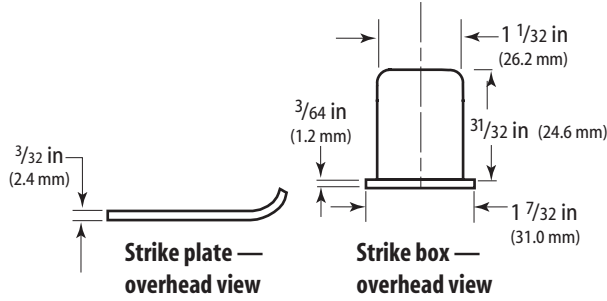


Series	45H & 47H	Backset	2 3/4"	Trim style	H, J, M, N, R, S	Door thickness	1 3/4" to 5"	Rev date	1/2007	Template number	H16	Rev	C
Installation Specifications for 45H & 47H Mortise Locks													
BEST ACCESS SYSTEMS													

Notes

1. Before drilling, check the *H15 Template—Installation Template for 45H & 47H Mortise Locks and 45HW & 47HW Electrified Mortise Locks* (T81163).
2. The maximum door-to-frame gap is 3/16 in. (4.8 mm).
3. Allow 3/64 in. (1.2 mm) clearance for the strike box thickness.
4. For metal doors, lock case support is required from the door manufacturer.
5. Tap for a #12-24 machine screw or drill for a #12 wood screw (a combination screw is supplied).



6. **Lock case holes:**
 - C Cylinder hole**—For 45H Locks, 1 1/4 in. (32 mm) dia. For 47H Locks, 1 3/4 in. (45 mm) dia.
 - F Emergency key / thumb turn access hole**—1/2 in. (13 mm) dia.
 - G Trim mounting hole**—3/8 in. (10 mm) dia. (two required)
 - H Lever hole**—7/8 in. (23 mm) dia.

