

ECN NO:

9747

NOTE: SEE MASTER SHEET 10001 FOR SUGGESTED REINFORCEMENT

TEMPLATE NO.:

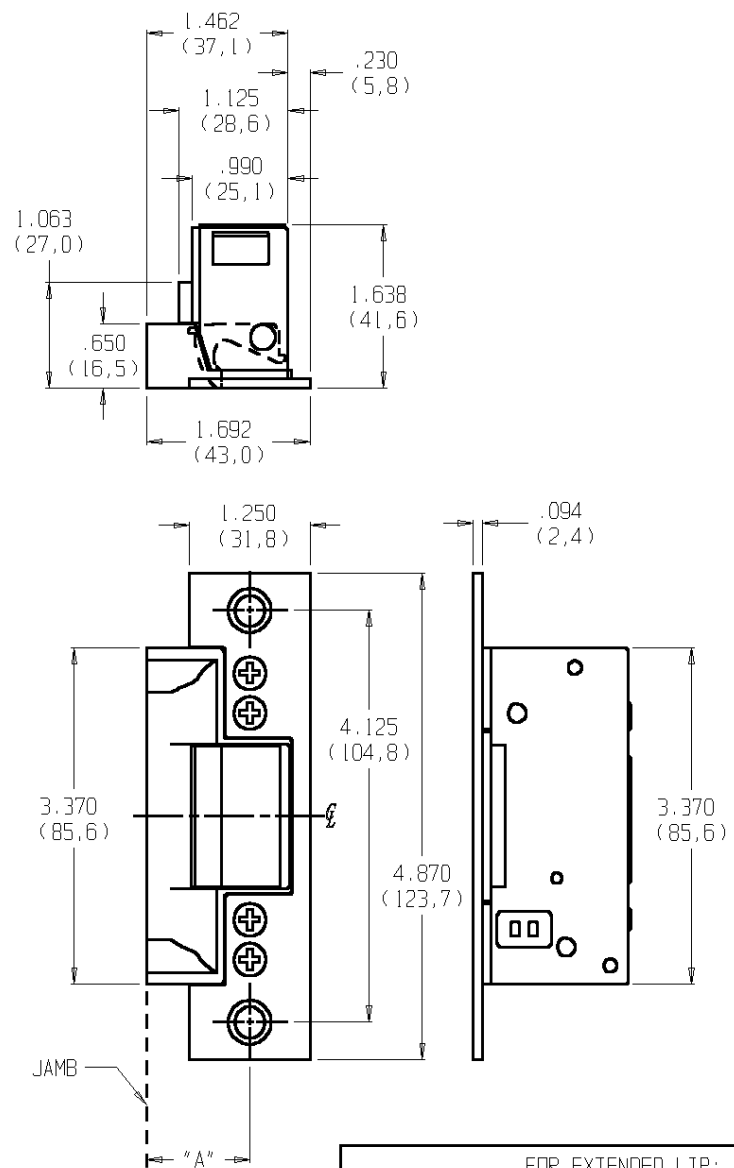
52120-1

DATE: 05-04-98

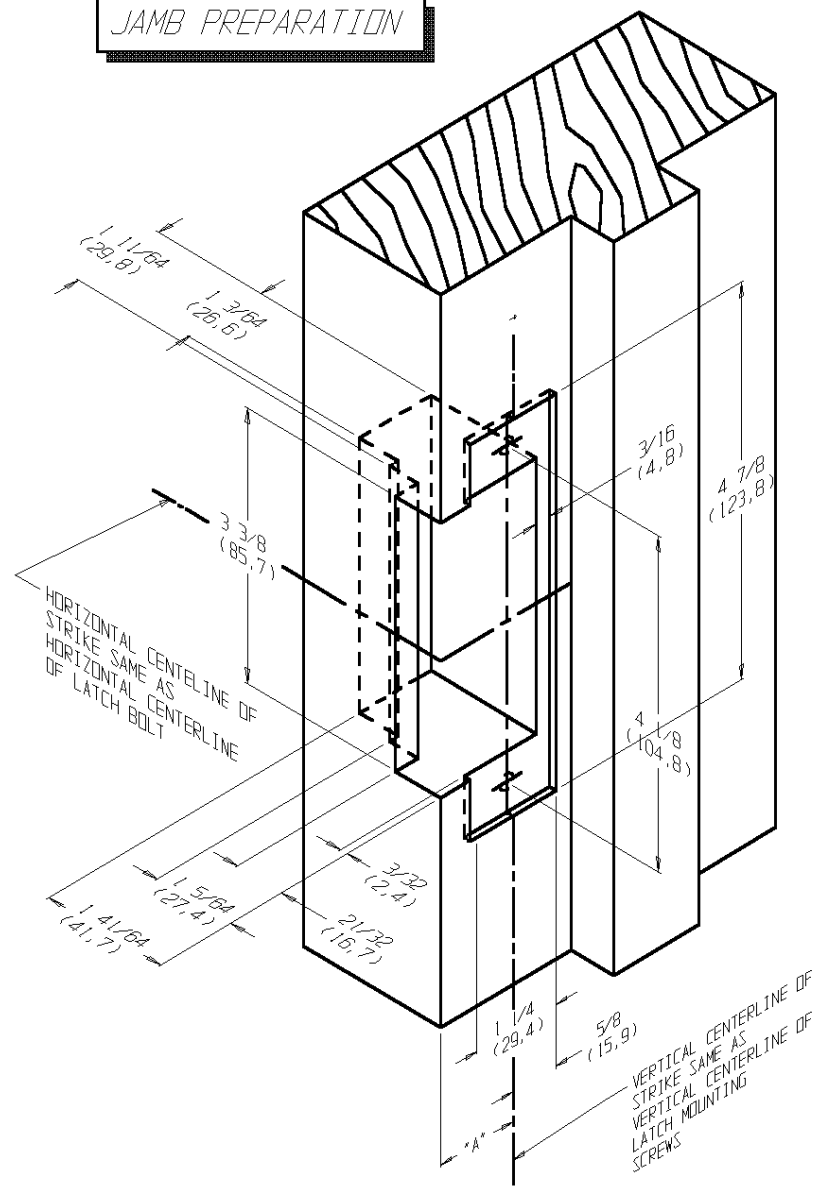
ADAMS RITE MANUFACTURING COMPANY  
POMONA, CA. 91767

7140 ELECTRIC STRIKE  
FOR WOOD JAMB WITH  
KEY-IN-KNOB LATCHES

**ELECTRIC STRIKE DIMENSIONS**



**JAMB PREPARATION**



FOR EXTENDED LIP: (DIM "A" DOOR + TO JAMB EDGE)

DASH NO.	DIM "A"	DASH NO.	DIM "A"	DASH NO.	DIM "A"
NONE	1.06	-05	2.00	-10	2.63
-01	1.50	-06	2.13	-11	2.75
-02	1.63	-07	2.25	-12	2.88
-03	1.75	-08	2.38	-13	3.00
-04	1.88	-09	2.50		

STANDARD UNIT FITS DIM. "A" UP TO 1 1/16" (SEE DASH NO.)

NOTE: WHEN DOOR SILENCERS ARE USED ON FRAME, ADJUST STRIKE LOCATION TO ENSURE COMMON LATCH AND STRIKE CENTERLINES.