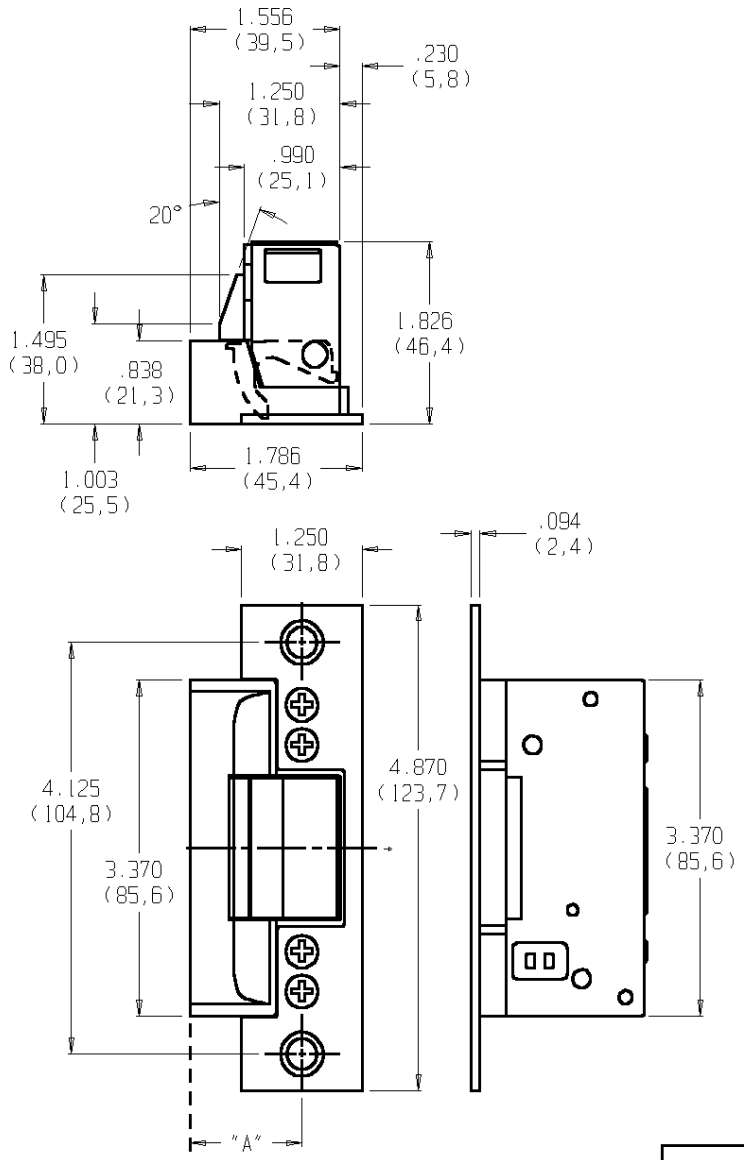


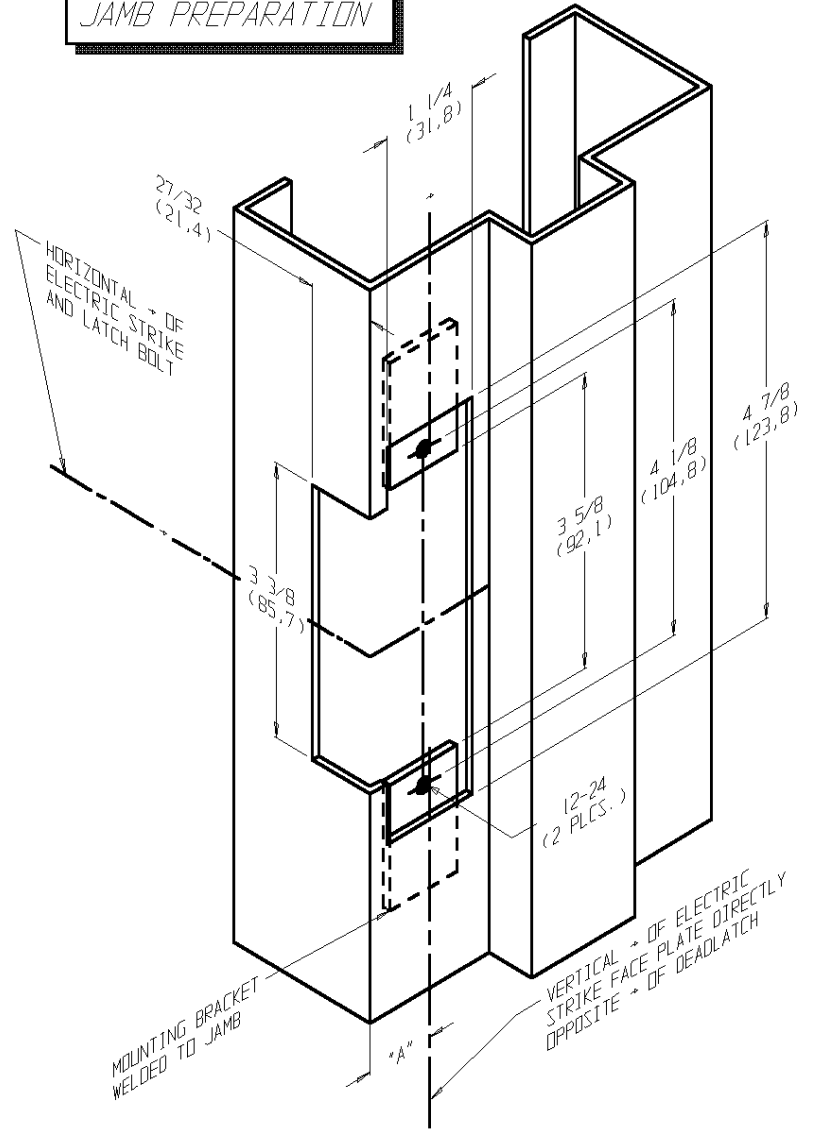
REF. INSTRUCTION SHEET NO.: 80-0180-367  
 ECN NO.: 9629  
 TEMPLATE NO.: 52140-1  
 DATE: 06-25-97

ADAMS RITE MANUFACTURING COMPANY  
 POMONA, CA. 91767  
 7170/7270 ELECTRIC STRIKE  
 FOR METAL JAMB WITH  
 MORTISE LATCHES

**ELECTRIC STRIKE DIMENSIONS**



**JAMB PREPARATION**



- NOTE:
1. WHEN DOOR SILENCERS ARE USED ON FRAMES, ADJUST STRIKE LOCATION TO ENSURE COMMON LATCH AND STRIKE CENTERLINES.
  2. STANDARD UNIT FITS DIM. "A" UP TO 1 1/16" (SEE DASH NO.)
  3. 7270-UL10B, 3HRS - FAIL SECURE ONLY.



FOR EXTENDED LIP: (DIM "A" DOOR → TO JAMB EDGE)

DASH NO.	DIM "A"	DASH NO.	DIM "A"	DASH NO.	DIM "A"
NONE	1.06	-05	2.00	-10	2.63
-01	1.50	-06	2.13	-11	2.75
-02	1.63	-07	2.25	-12	2.88
-03	1.75	-08	2.38	-13	3.00
-04	1.88	-09	2.50		