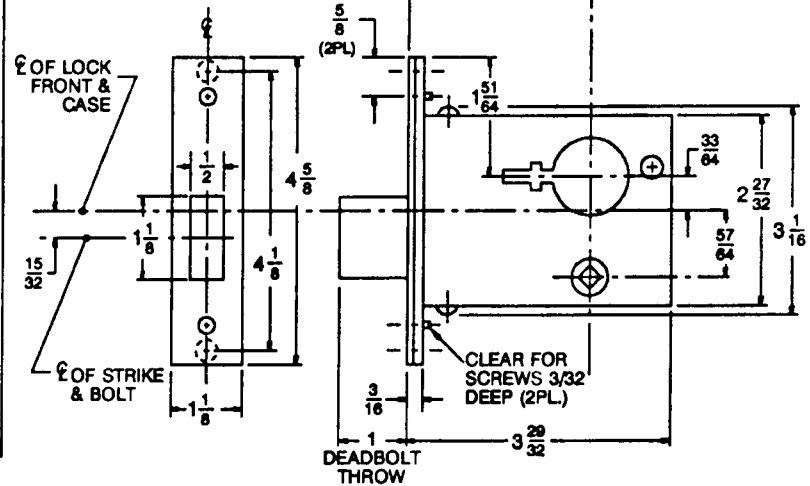
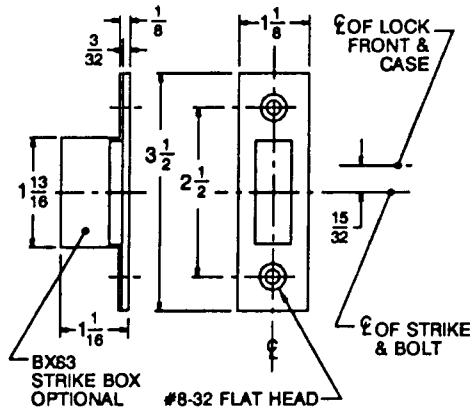
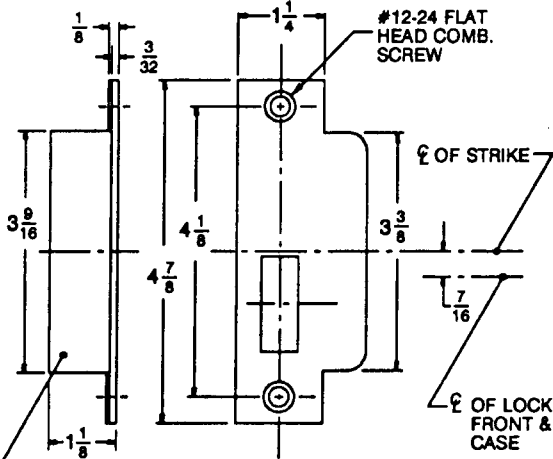
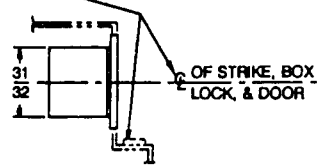
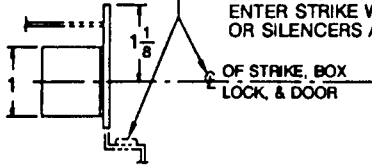


DOOR FRAME MANUFACTURER'S SHOULD PROVIDE THE REQUIRED CLEARANCE TO ALLOW BOLT TO ENTER STRIKE WHEN GASKETING OR SILENCERS ARE USED.



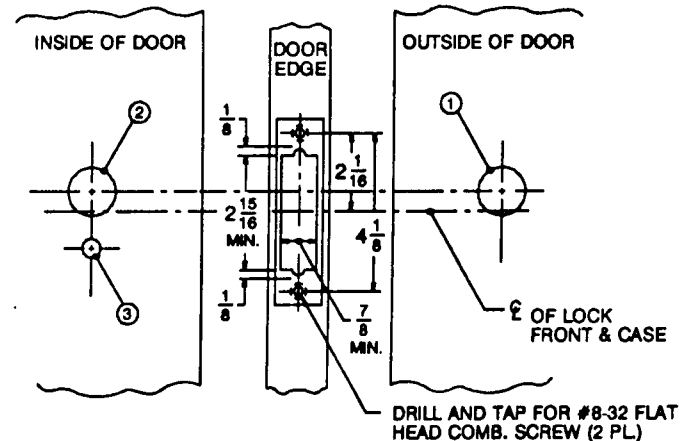
356 STRIKE

380 STRIKE

REQ. HOLES	HOLE NO.	HOLE DIA.	FUNCTION				
			40	41	42	43	44
1	1	1/4	•	•	•	•	•
2	2	1/4	•	•	•	•	•
3	3	5/8	•	•	•	•	•

NOTES:

1. FOR METAL DOORS LOCK CASE SUPPORT IS REQUIRED FROM DOOR MFG.
2. • DENOTES HOLE(S) FOR FUNCTION LISTED. (CHECK BEFORE CUTTING)



DETAIL OF DOOR-CUT (SEE TABLE)

REV. & DATE
A 11-89

DO NOT SCALE

TEMPLATE NO.
1127A

ARROW TEMPLATE

PRODUCT
N SERIES LOCK