

The following instructions cover all models of the 700 series strike: 710-75, 710, 712-75, 712, 722-75, 722, 730-75, 730, 732-75 and 732.

**INSTALLATION**

1. For proper installation of the 700 strike refer to the appropriate template drawing.
2. Prior to installation make the necessary wire connections per the appropriate wiring diagram.
3. Proper operating voltage must be supplied to the strike if it is to function correctly. Voltage at the strike must be within + or - 10% of the required voltage listed on the strike label.
4. To install the strike into the frame opening:

A) Position the wiring either down or up or toward the back of the hollow metal frame, making sure that it stays completely out of the way of the strike so as not to pinch it when installing.

B) Mount the strike using the screws supplied:

**Strike Model**

**Mounting Screws**

712, 712-75, 722, 722-75  
732, 732-75

(2) 12-24 x 1/2 FH Phil Mach SCS  
(2) 12 x 3/4 FH Phil Wood SCS

5. After installation check the horizontal alignment, be certain that the centerline of the latch bolt is aligned with the centerline of the strike.
6. In case of misalignment there is a 3/16" horizontal adjustment between the strike mechanism and the face plate. To adjust:
  - A) Remove mounting screws.
  - B) Remove strike from frame.
  - C) Loosen the two (2) 8-32 PHPMS.
  - D) Reposition strike and re-tighten PHPMS screws.
  - E) Reinstall strike in frame.
  - F) Reinstall mounting screws.

**OPERATION**

The Folger Adam 700 electric strike is a solenoid operated device.

1. 710 NON-FAIL-SAFE  
When power is applied the solenoid pulls the locking cam into the unlocked position allowing the door to be opened. If power fails the strike will remain locked.  
  
NOTE: Non-fail-safe strikes for use in fire rated doors can only be operated by momentary contact switching (energized only when the push button is held depressed) and cannot be held in the unlocked position.
2. 710 FAIL-SAFE  
When power is applied the solenoid pushes the locking cam into the locked position and the door cannot be opened. If power fails the strike will unlock.
3. 730 NON-FAIL-SAFE  
When power is applied the solenoid pushes the locking cam into the unlocked position allowing the door to be opened. If power fails the strike will remain locked.  
  
NOTE: Non-fail-safe strikes for use in fire rated doors can only be operated by momentary contact switching (energized only when the push button is held depressed) and cannot be held in the unlocked position.
4. 730 FAIL-SAFE  
When power is applied the solenoid pulls the locking cam into the locked position and the door cannot be opened. If power fails the strike will unlock.

**OPTIONAL FEATURES**

1. LBM SWITCH (Latch Bolt Monitor)  
A switch operated by the switch tripper that signals whether or not the latch bolt is extended into the strike.
2. LCM SWITCH (Locking Cam Monitor)  
A switch operated by the roll pin on the locking cam that monitors the position of the locking cam and signals that the strike is either locked or unlocked.
3. LBMLCM SWITCH (Locking Cam and Latch Bolt Monitor)  
A combination of the LCM and LBM switches. By wiring these two switches together, externally, they will indicate that the strike is locked (LCM) and the latch bolt is extended (LBM) into the strike.
4. LCMA SWITCH (locking Cam and Latch Bolt Monitor)  
Two built-in limit switches. One Switch will indicate that the cam is either locked or unlocked (LCM). The other is an auxiliary switch, activated by the latch bolt, to indicate that the latch bolt is extended into the strike (LBM).
5. SOLENOID VOLTAGE  
24VDC is standard. Optional voltages available are: 6, 12, 16, 48 or 115VDC or VAC.  
  
When control power source is AC, the strike is supplied with an externally attached bridge rectifier.  
  
When control power source is DC, the strike is supplied without the bridge rectifier.  
  
NOTE: UL requires that a junction box be used with 48 and 120 volt strikes, if they are not installed in a back box.
6. FAIL-SAFE  
The strike is locked when energized. This feature should be used for applications that require automatic unlocking in case of power failure.  
  
CAUTION: Fail-safe is **not** permitted with the UL Fire Door Accessory label.
7. MOUNTING TAB  
The mounting tab is designed to be used with 712, 712-75, 722 and 722-75 electric strikes when mounting in metal frames.
8. ASTRAGAL  
A lock guard, designed to prevent tampering with the strike keeper and the latch bolt.
9. EXTENDED LIP  
A lip extension is added to the face plate to form a path for the latch bolt when released electrically. Extension is available in increments of 1/4" up to 2" maximum.


**OPERATIONAL NOTE**

This product may be provided fail safe or non fail safe. Fail safe versions allow exit in the event of power failure. Non fail safe versions do not. Consult with the local authority having jurisdiction concerning the installation of this type of product and whether listed panic hardware is required to allow emergency exit from the secured area.

**TROUBLE SHOOTING**

Problem	Solution
Strike does not operate when energized.	Check for proper voltage being supplied to the strike. Check all wiring. Check the coil resistance of the solenoid and compare it to the chart located on the wiring diagram, to insure the correct solenoid is being used.
Strike operates intermittently.	Check for loose wire connection.
Solenoid overheating or burned out.	Check for proper voltage being supplied to the strike.
Strike is not re-locking or is not unlocking.	Check for proper alignment between strike keeper and bolt, realign face plate if necessary. The keeper may not be returning to the fully locked position. Check the strike with the door open, if the strike re-locks check the horizontal alignment between the strike keeper and the latch bolt. There is a 3/16" horizontal adjustment between the strike assembly and the face plate (see installation instructions for adjustment). If vertical alignment is off, reposition the face plate.  Check the locking cam spring to insure it is moving the locking cam into the locked position (non-fail-safe) or the unlocked position (fail-safe).  Check the solenoid assembly to insure the solenoid plunger is moving freely.
Improper indication. (LCM, LBM, LBMLCM or (LCMA)	Check wiring. Check latch bolt for correct engagement with switch tripper. Check switch actuator arm, re-bend if necessary. Check continuity of indication switches, common to normally open, common to normally closed.
Solenoid plunger binding (Plunger will not extend or retract).	Check alignment between solenoid plunger and cam.

**700 Strike  
Installation Instructions**

 <b>FOLGER ADAM</b>	REF. REPAIR PART DWG.	
P.O. BOX 25288, CHARLOTTE, NC 28229-8010		
TEMPLATE NUMBER	PAGE	DATE
<b>089-0250-005</b>	<b>1 of 2</b>	<b>7-98</b>

## MAINTENANCE AND LUBRICATION

Under normal usage the 700 electric strike should be cleaned and lubricated once a year to maintain its reliability. In applications with high usage or dirty conditions more frequent service may be necessary. Lubrication points are identified in illustration 2. When servicing a 700 inspect the internal parts for excess wear or breakage and lightly lubricate per the instructions below. Lubricate with Lightning Grease, available from Folger Adam. Never lubricate any strike with oil, such lubrication collects dirt and forms an abrasive and sticky compound that may affect the function of the strike.

### TO INSPECT AND LUBRICATE THE STRIKE:

- Remove the strike from the face plate, held on by two (2) 8-32 x 3/8 PHPMS.
- Remove the front cover, held on by two (2) 4-40 x 3/16 FHMS. Removal of the front cover should be done slowly because the locking cam spring may snap out of place. Also, care should be taken to insure that the baffle is not lost.
- Remove the cam spring and the baffle.
- PULL TYPE:** Loosen the lock nut holding the solenoid, then remove the solenoid and then the plunger.  
**PUSH TYPE:** Loosen the lock nut holding the solenoid, then remove the solenoid and plunger assembly.
- Remove the locking cam.
- Remove the locking lever spring and locking lever.
- Lubricate the area in the case where the locking lever and locking cam rest. (Be careful not to get any lubricant on the solenoid or switches.) Lubricate the cam pin and lever pin.
- Check the locking angle of the keeper and locking lever for wear. Replace the keeper and/or lever if worn. (If the keeper is disassembled for replacement or adding of a switch, lubricate the keeper pin.)
- Reinstall the locking lever and the locking lever spring, the spring must be held compressed into the hole in the locking lever for installation.
- Check the solenoid, plunger and plunger guide for excess wear, dirt grime or oil, if present wipe clean.  
**PUSH TYPE:** Remove the retaining ring for inspection of the plunger guide. Reassemble the solenoid and plunger with a new retaining ring.
- PULL TYPE:** Lubricate the roll pin and the locking cam surfaces between the solenoid plunger (contact points of the solenoid plunger).  
**PUSH TYPE:** Lubricate the edge of the locking cam (contact point of the solenoid plunger).
- Reinstall the locking cam. If the strike has a LCM, LBMLCM or LCMA switch make sure the roll pin on the locking cam is positioned in front of the switch actuator arm.

## 13. INSTALLING AND ADJUSTING THE SOLENOID

- A) **710 NON-FAIL-SAFE:** In the bottom hole in the case, install the plunger with the opening for the roll pin toward the lever side of the case, then install the solenoid.

**730 NON-FAIL-SAFE:** In the back hole in the case, install the solenoid and plunger assembly.

**710 FAIL-SAFE:** In the bottom hole in the case, install the solenoid and plunger assembly.

**730 FAIL-SAFE:** In the back hole in the case, install the plunger with the opening for the roll pin toward the bottom of the case, then install the solenoid.

- B) **710 & 730 NON-FAIL-SAFE:** Install the locking cam spring with the L-shaped leg of the spring on the bottom of the locking cam (plunger side) and the other leg in the groove in the side of the case. See illustrations.

**710 & 730 FAIL-SAFE:** Install the locking cam spring with the L-shaped leg of the spring on the top of the locking cam (locking lever side) and the other leg in the groove in the case (near the locking lever). See illustrations.

- C) **710 NON-FAIL-SAFE (Pull Type):** Before tightening the lock nut, energize the solenoid and adjust the solenoid position until the locking cam is pulled into the unlocked position, tighten the lock nut on the solenoid.

**710 FAIL-SAFE (Push Type):** Before tightening the lock nut, energize the solenoid and adjust the solenoid position until the solenoid plunger pushes the locking cam into the locked position (do not screw in the solenoid more than required or the solenoid plunger will not seat in the solenoid). De-energize the solenoid and check that the locking cam moves to the unlocked position. Tighten the solenoid lock nut.

**730 NON-FAIL-SAFE (Push Type):** Before tightening the lock nut, energize the solenoid and adjust the solenoid position until the solenoid plunger pushes the locking cam into the unlocked position, tighten the lock nut on the solenoid.

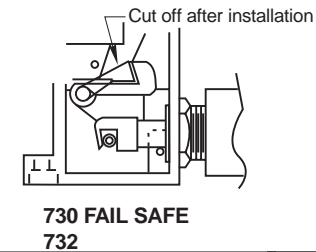
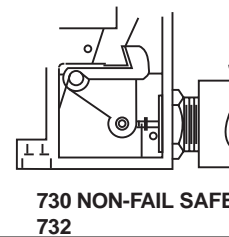
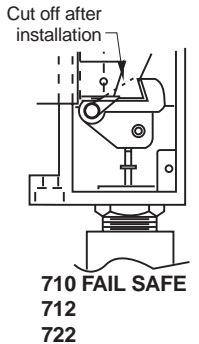
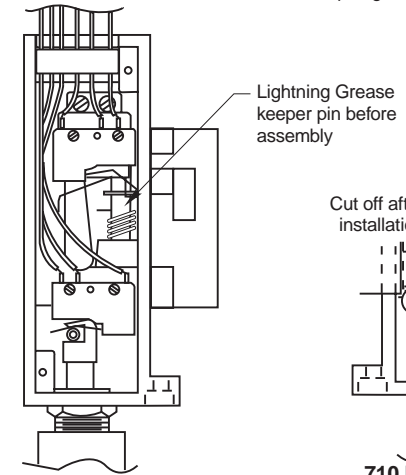
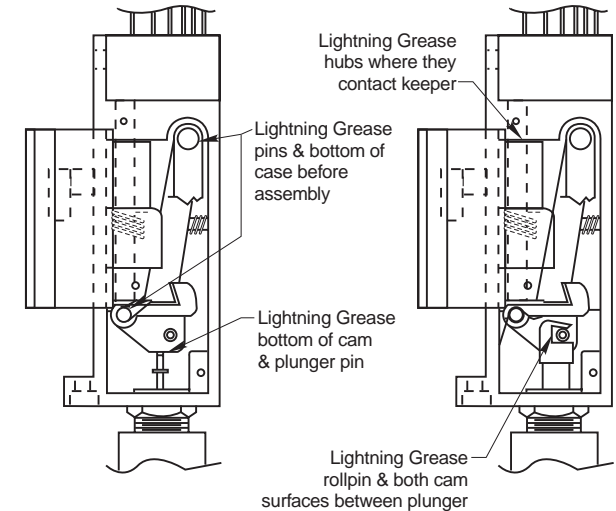
**730 FAIL-SAFE (Pull Type):** Before tightening the lock nut, energize the solenoid and adjust the solenoid position until the locking cam is pulled into the locked position. De-energize the solenoid and check that the locking cam moves to the unlocked position, tighten the solenoid lock nut.

**HINT:** Hold cam spring in place or place cover over cam spring before energizing solenoid.

14. Check all screws, tighten if necessary. **CAUTION:** Do not over tighten the switch screws, over tightening could break the switch.

15. Reinstall the baffle.

16. Reinstall the front cover.



# 700 Strike Installation Instructions



REF. REPAIR PART DWG.

P.O. BOX 25288, CHARLOTTE, NC 28229-8010

TEMPLATE NUMBER

PAGE

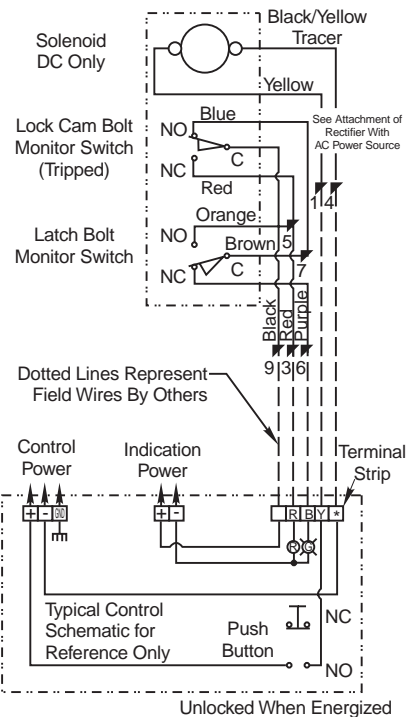
DATE

089-0250-005

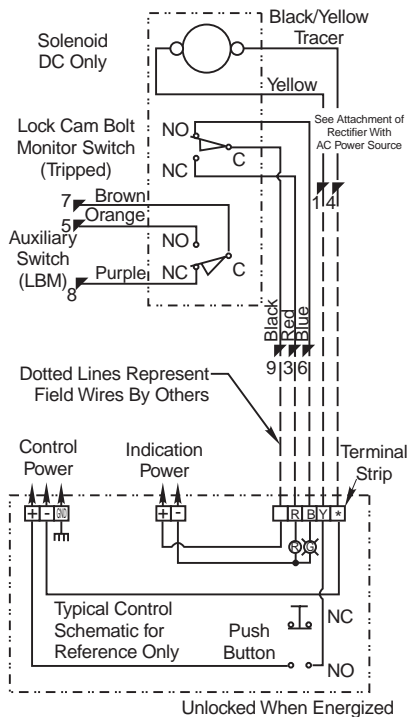
2of2

7-98

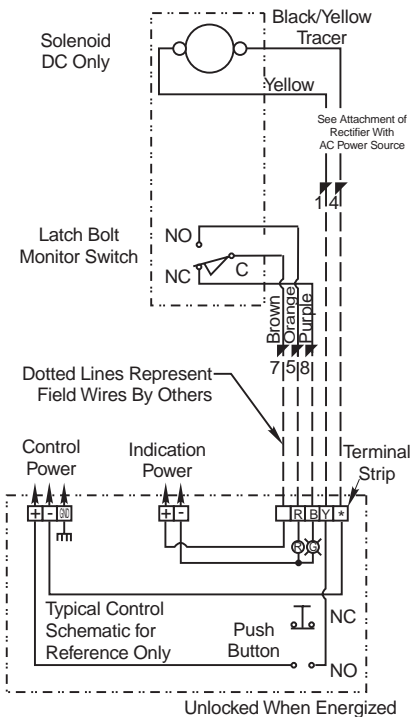
### 700 LBMLCM Wiring Diagram



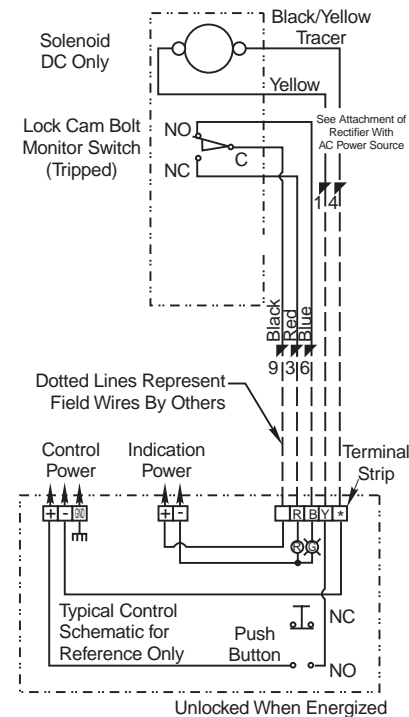
### 700 LCMA Wiring Diagram



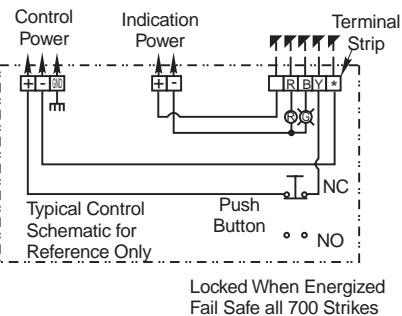
### 700 LBM Wiring Diagram



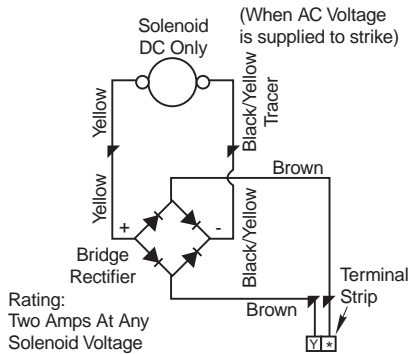
### 700 LCM Wiring Diagram



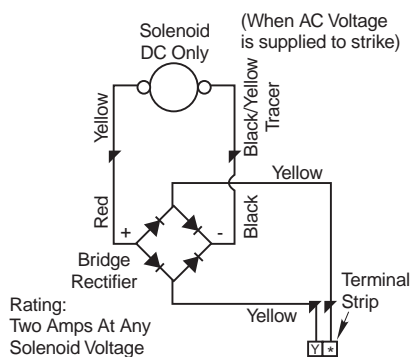
### Fail Safe Controls



### Attachment of New Rectifier



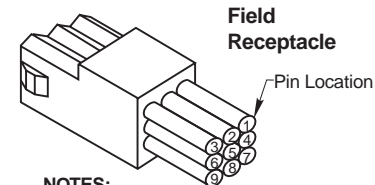
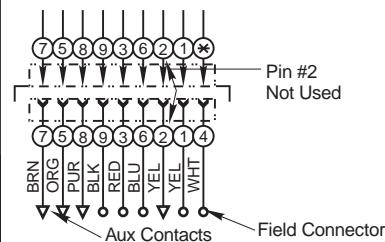
### Attachment of Old Rectifier



### Electrical Ratings for All 700 Strike Solenoids

	Voltage					
	DC					
	6	12	16	24	48	120
Resistance in OHMS ± 10%	10	41	73	160	640	3700
Watts	3.60	3.48	3.52	3.60	3.60	3.84
Amps	.6	.29	.22	.15	.075	.032

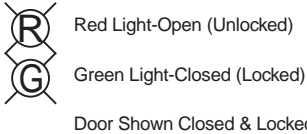
### Optional 9-Pin Field Wiring Conn. Strike Wires



### NOTES:

- \* = Wires color code:  
6 thru 120 VDC  
Yellow/Black Tracer  
12 & 24 VAC-Grey  
120 VAC-White
- Unused wires to be individually isolated with a wire nut or equal.
- Numbered field connections refer to pin location in field receptacle.

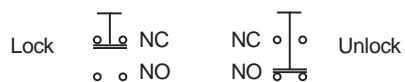
### Controls Shown for Reference Only



### Notice:

Wiring Subject To Change Without Notice. Not Responsible When Controls Furnished By Others.

### Push Button Switch Conditions



## 700 Wiring Diagrams



091-0250-001

REF. REPAIR PART DWG.

P.O. BOX 25288, CHARLOTTE, NC 28229-8010

DATE

7-98

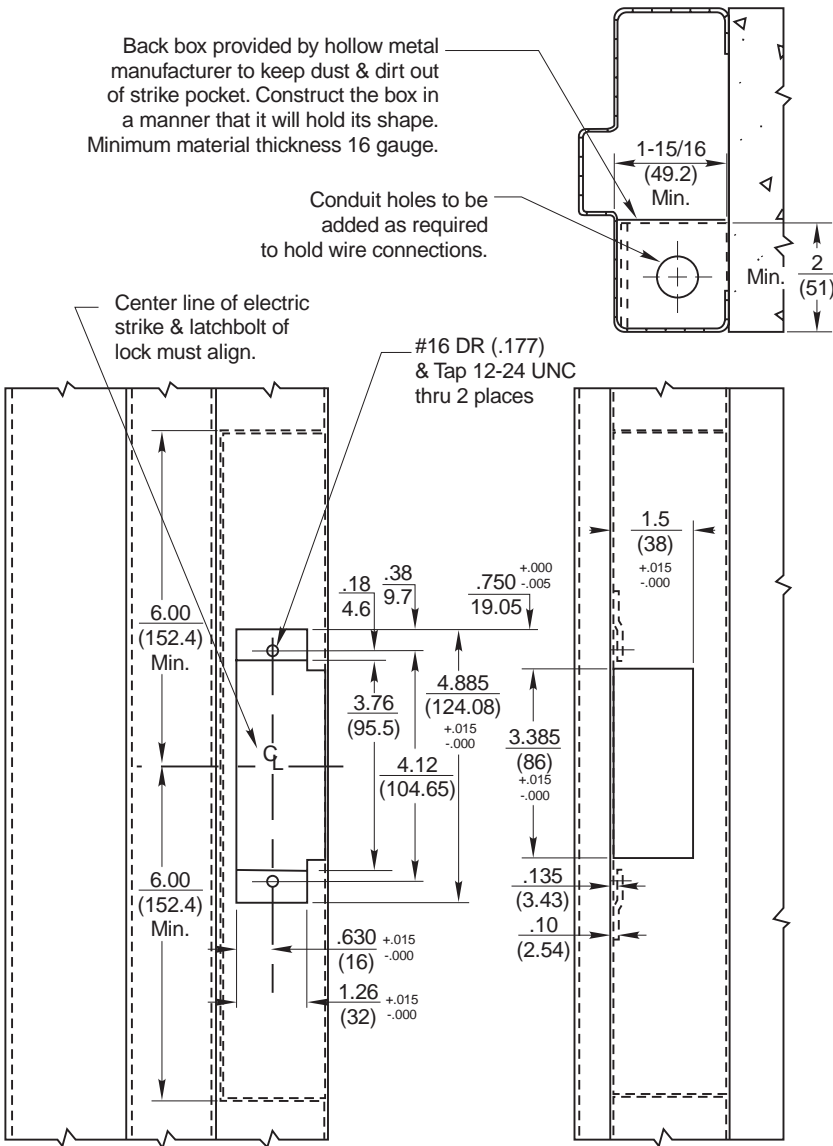
**Frame Preparation (LHRB Application Shown)**

Drawing shows only one method of installation. Method of installation may vary per door & frame manufacturer.

Back box provided by hollow metal manufacturer to keep dust & dirt out of strike pocket. Construct the box in a manner that it will hold its shape. Minimum material thickness 16 gauge.

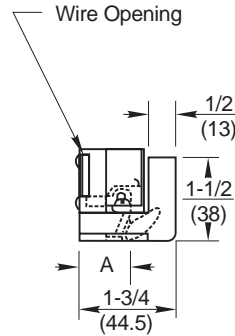
Conduit holes to be added as required to hold wire connections.

Center line of electric strike & latchbolt of lock must align.

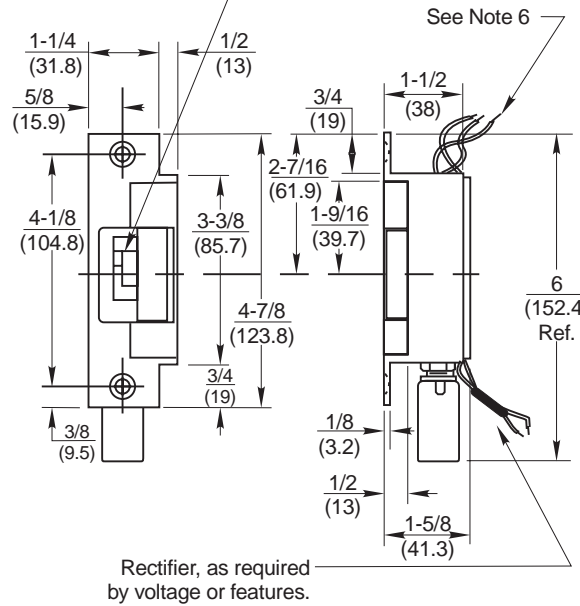


#16 DR (.177) & Tap 12-24 UNC thru 2 places

Dimension "A" (Keeper Position) is adjustable from .80 to 1.00. To adjust, loosen the two 8-32 RHMS which are used to mount strike, reposition strike, and retighten screws.



Switch tripper required with optional latch bolt monitor features.

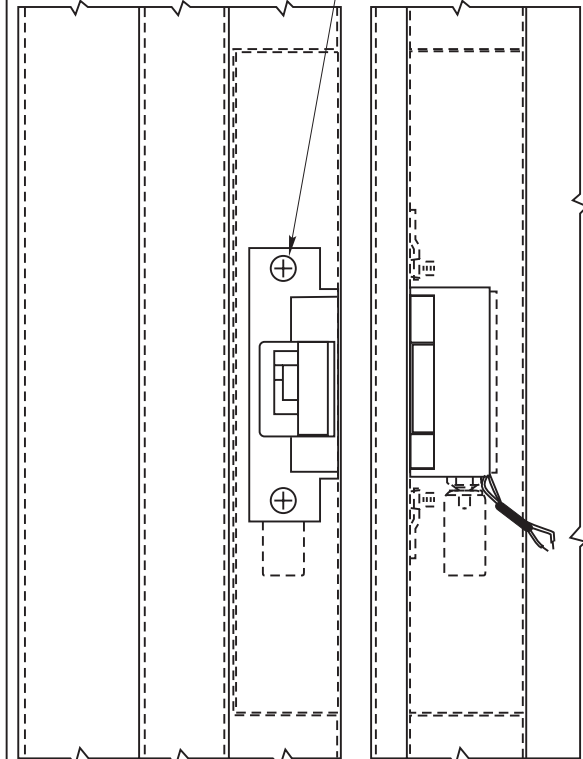


**Model 712 Electric Strike**

**NOTES:**

1. DO NOT SCALE - All dimensions in inches (mm).
2. Dimensions subject to change without notice.
3. Number of wires will vary per features of strike.
4. Cut off all excess wire not req'd for installation.
5. Wires to be run from side & rear of strike to conduit connection.
6. All wiring connections to be made opposite the solenoid end of strike. If a rectifier (optional) is used, it may be installed at either end of strike.
7. Refer to catalog for standard & optional features.
8. Door & frame manufacturers are responsible for providing adequate construction or reinforcements for proper installation of hardware.
9. Tolerances shown are for cutouts.

12-24 x 1/2" Phil. Hd. Mach. Scr. 2 Included



**712 Electric Strike**



REF. REPAIR PART DWG.

**2500700**

P.O. BOX 25288, CHARLOTTE, NC 28229-8010

TEMPLATE NUMBER

**092-0250-002**

DATE

**7-98**

**Frame Preparation (LHRB Application Shown)**

Drawing shows only one method of installation. Method of installation may vary per door & frame manufacturer.

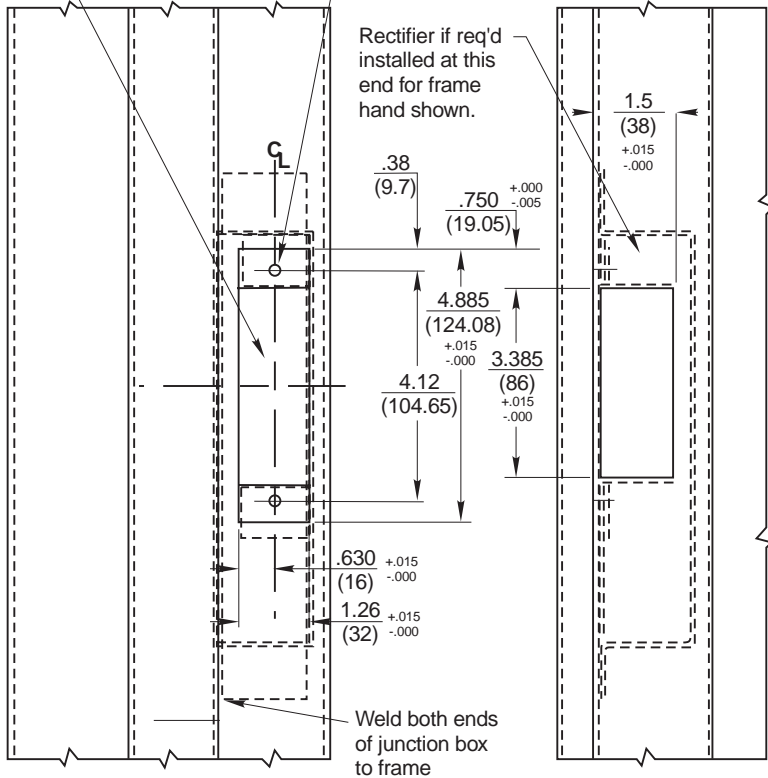
Junction box provided by Folger Adam with 48 & 120 volt strikes to meet UL requirements

.875 (22.23) Dia. conduit knockouts punched out as required. (one in each end)

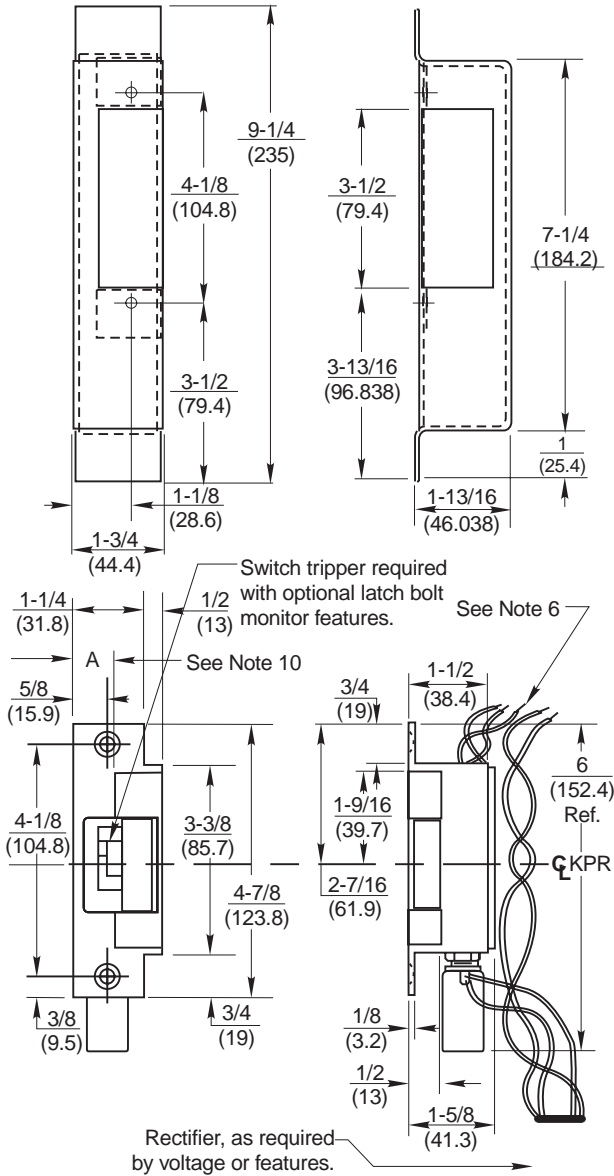
Center line of electric strike & latchbolt of lock must align.

Tapped for 12-24 UNC screws thru two places

Rectifier if req'd installed at this end for frame hand shown.



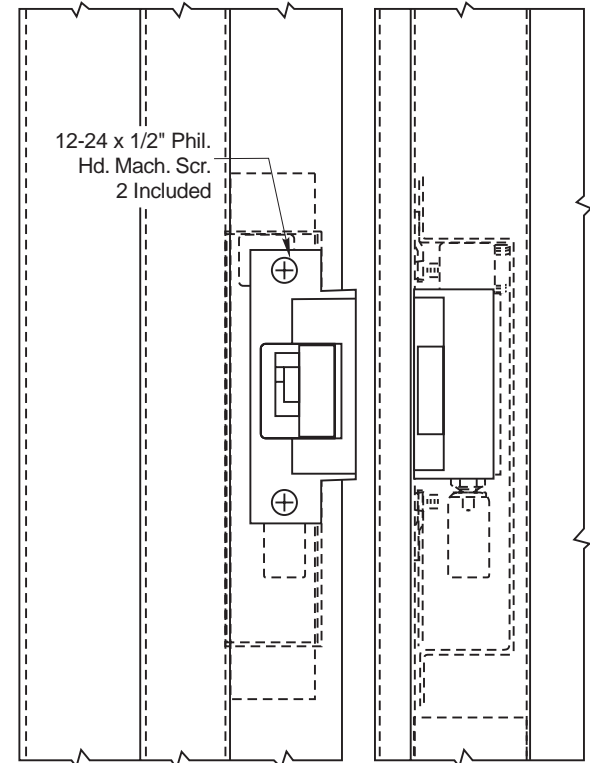
**700 Series Junction Box For Model 712**



**Model 712 Electric Strike**

**NOTES:**

1. DO NOT SCALE - All dimensions in inches (mm).
2. Dimensions subject to change without notice.
3. Number of wires will vary per features of strike.
4. Cut off all excess wire not req'd for installation.
5. Wires to be run from side & rear of strike to conduit connection.
6. All wiring connections to be made opposite the solenoid end of strike. If a rectifier (optional) is used, it must be installed opposite the solenoid end of strike.
7. Refer to catalog for standard & optional features.
8. Door & frame manufacturers are responsible for providing adequate construction or reinforcements for proper installation of hardware.
9. Tolerances shown are for cutouts.
10. Dimension "A" (Keeper Position) is adjustable from .80 to 1.00. To adjust, loosen the two 8-32 RHMS which are used to mount strike, reposition strike, and retighten screws.



**712 Electric Strike**  
With Junction Box RH Or LHRB Application



REF. REPAIR PART DWG.

**2500700**

P.O. BOX 25288, CHARLOTTE, NC 28229-8010

TEMPLATE NUMBER

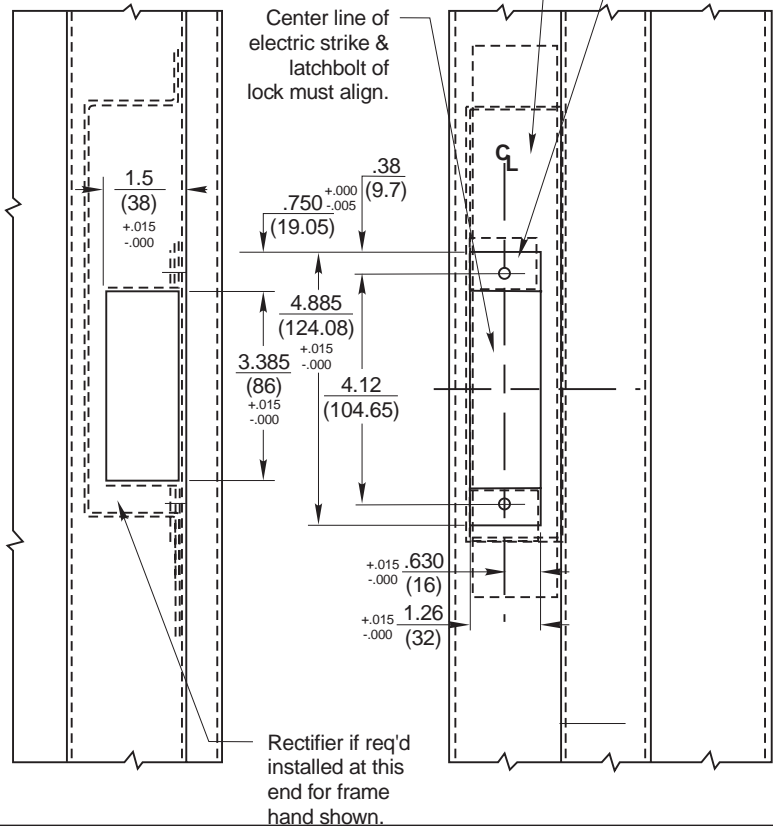
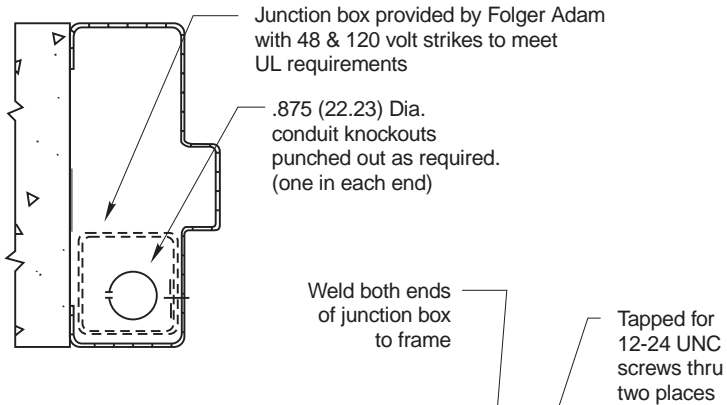
**092-0250-003**

DATE

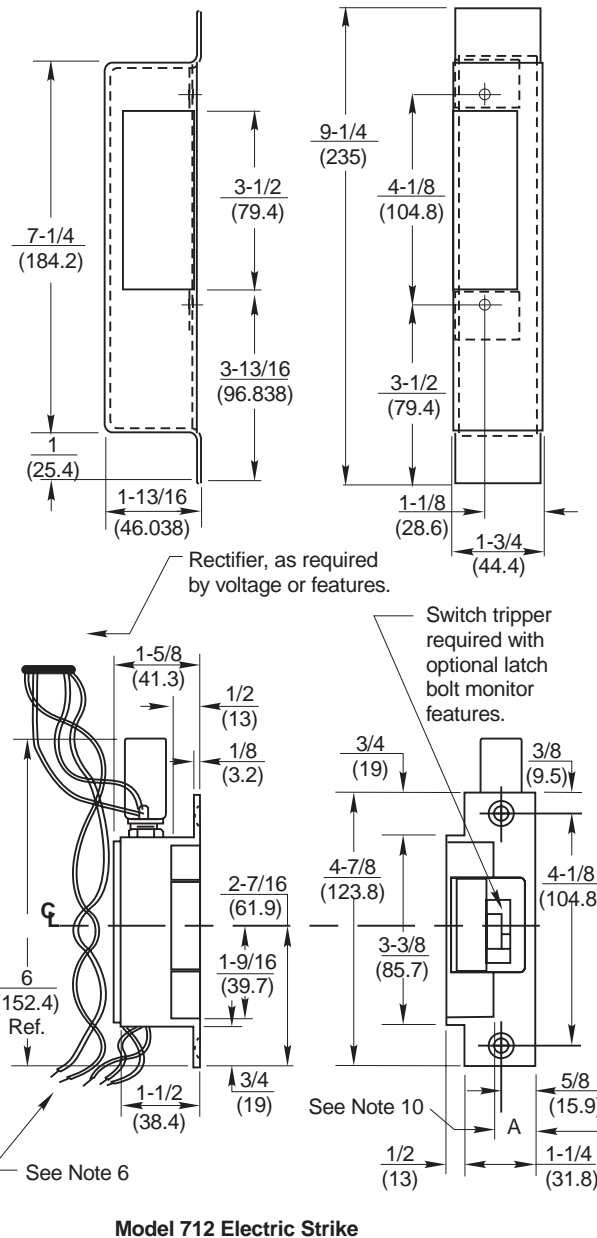
**9-98**

**Frame Preparation (RHRB Application Shown)**

Drawing shows only one method of installation. Method of installation may vary per door & frame manufacturer.

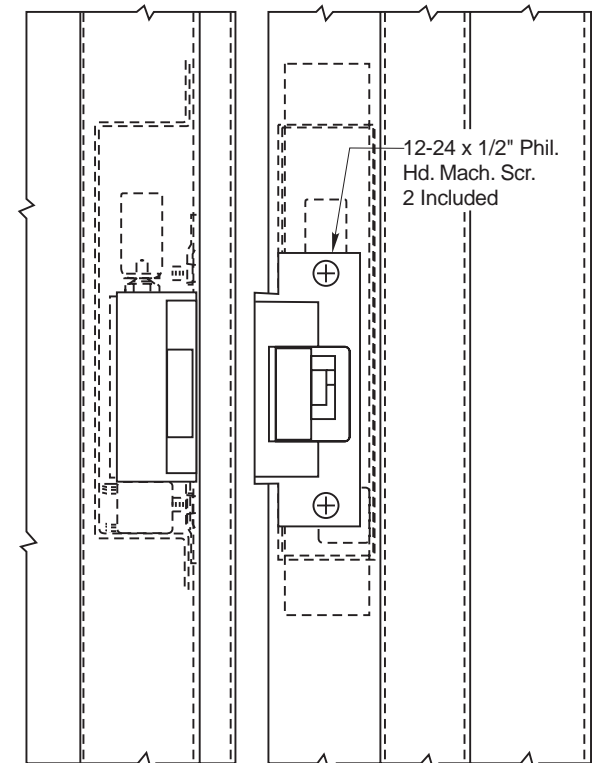


**700 Series Junction Box For Model 712**



**NOTES:**

1. DO NOT SCALE - All dimensions in inches (mm).
2. Dimensions subject to change without notice.
3. Number of wires will vary per features of strike.
4. Cut off all excess wire not req'd for installation.
5. Wires to be run from side & rear of strike to conduit connection.
6. All wiring connections to be made opposite the solenoid end of strike. If a rectifier (optional) is used, it must be installed opposite the solenoid end of strike.
7. Refer to catalog for standard & optional features.
8. Door & frame manufacturers are responsible for providing adequate construction or reinforcements for proper installation of hardware.
9. Tolerances shown are for cutouts.
10. Dimension "A" (Keeper Position) is adjustable from .80 to 1.00. To adjust, loosen the two 8-32 RHMS which are used to mount strike, reposition strike, and retighten screws.



**712 Electric Strike**  
With Junction Box RH Or LHRB Application



REF. REPAIR PART DWG.

**2500700**

P.O. BOX 25288, CHARLOTTE, NC 28229-8010

TEMPLATE NUMBER

**092-0250-004**

DATE

**9-98**

### Frame Preparation (LHRB Application Shown)

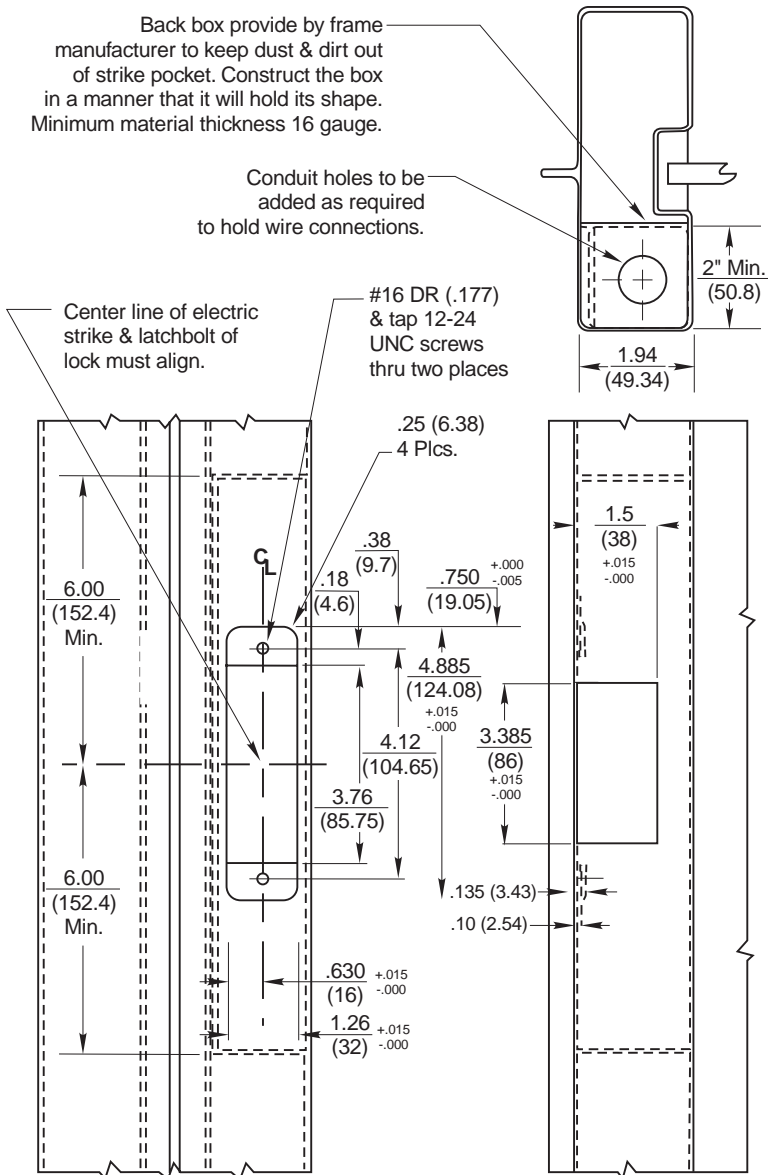
Drawing shows only one method of installation. Method of installation may vary per door & frame manufacturer.

Back box provide by frame manufacturer to keep dust & dirt out of strike pocket. Construct the box in a manner that it will hold its shape. Minimum material thickness 16 gauge.

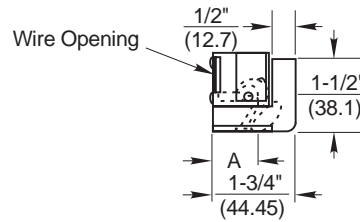
Conduit holes to be added as required to hold wire connections.

Center line of electric strike & latchbolt of lock must align.

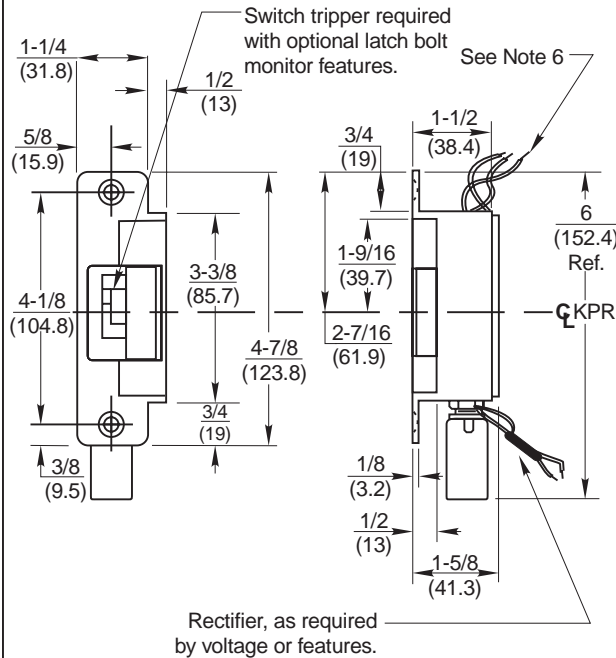
#16 DR (.177) & tap 12-24 UNC screws thru two places



### Model 722 Electric Strike



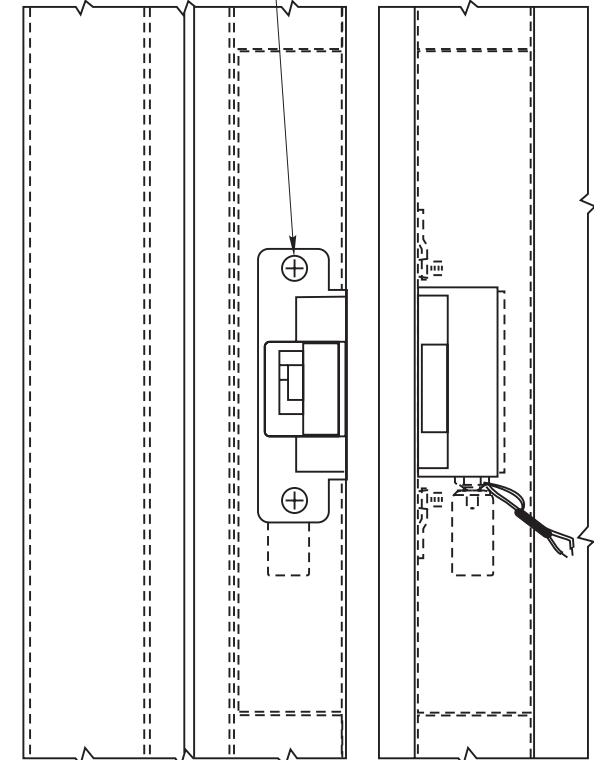
Dimension "A" (Keeper Position) is adjustable from .80 to 1.00. To adjust, loosen the two 8-32 RHMS which are used to mount strike, reposition strike, and retighten screws.



### NOTES:

1. DO NOT SCALE - All dimensions in inches (mm).
2. Dimensions subject to change without notice.
3. Number of wires will vary per features of strike.
4. Cut off all excess wire not req'd for installation.
5. Wires to be run from side & rear of strike to conduit connection.
6. All wiring connections to be made opposite the solenoid end of strike. If a rectifier (optional) is used, it may be installed at either end of strike.
7. Refer to catalog for standard & optional features.
8. Door & frame manufacturers are responsible for providing adequate construction or reinforcements for proper installation of hardware.
9. Tolerances shown are for cutouts.

12-24 x 1/2" Phil.  
Hd. Mach. Scr.  
2 Included



## 722 Electric Strike



REF. REPAIR PART DWG.

2500700

P.O. BOX 25288, CHARLOTTE, NC 28229-8010

TEMPLATE NUMBER

092-0250-005

DATE

9-98

**Frame Preparation (LHRB Application Shown)**

Drawing shows only one method of installation. Method of installation may vary per door & frame manufacturer.

Junction box provided by Folger Adam Co. with 48 & 120 volt strikes to meet UL requirements.

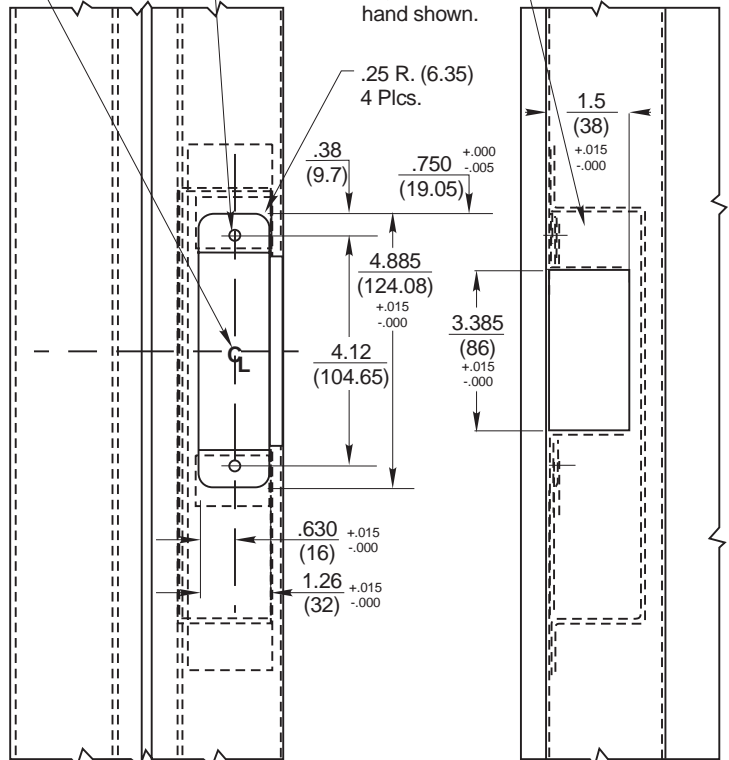
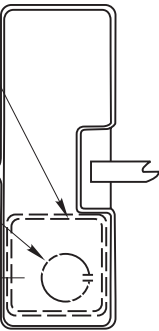
.875 (22.35) Dia conduit knockouts punched out as required. (One in each end)

Center line of electric strike & latch bolt of lock must align.

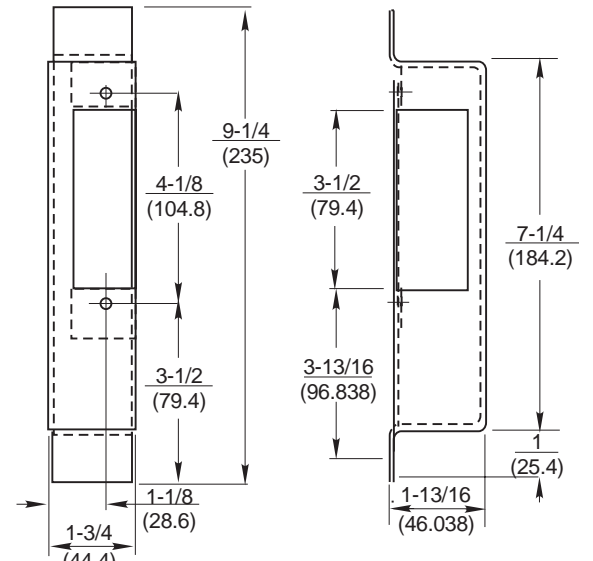
Tapped for 12-24 UNC screws thru two places.

Rectifier if req'd installed at this end, for frame hand shown.

.25 R. (6.35) 4 Plcs.

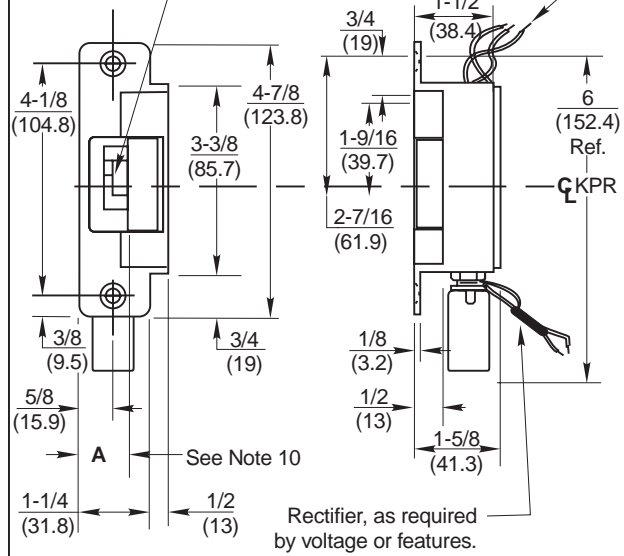


**Model 700 Series Junction Box For Model 722**



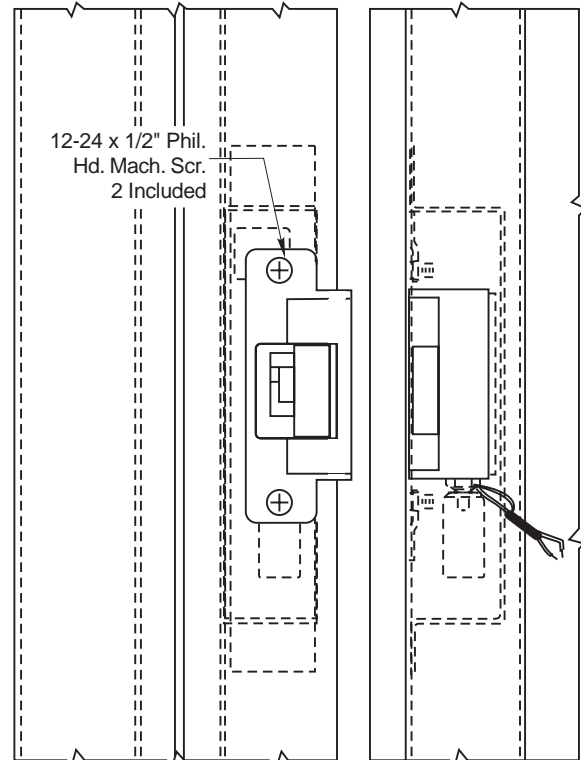
Switch tripper required with optional latch bolt monitor features.

See Note 6



**Model 722 Electric Strike**

- NOTES:
1. DO NOT SCALE - All dimensions in inches (mm).
  2. Dimensions subject to change without notice.
  3. Number of wires will vary per features of strike.
  4. Cut off all excess wire not req'd for installation.
  5. Wires to be run from side & rear of strike to conduit connection.
  6. All wiring connections to be made opposite the solenoid end of strike. If a rectifier (optional) is used, it must be installed opposite the solenoid end of strike.
  7. Refer to catalog for standard & optional features.
  8. Door & frame manufacturers are responsible for providing adequate construction or reinforcements for proper installation of hardware.
  9. Tolerances shown are for cutouts.
  10. Dimension "A" (Keeper Position) is adjustable from .80 to 1.00. To adjust, loosen the two 8-32 RHMS which are used to mount strike, reposition strike, and retighten screws.



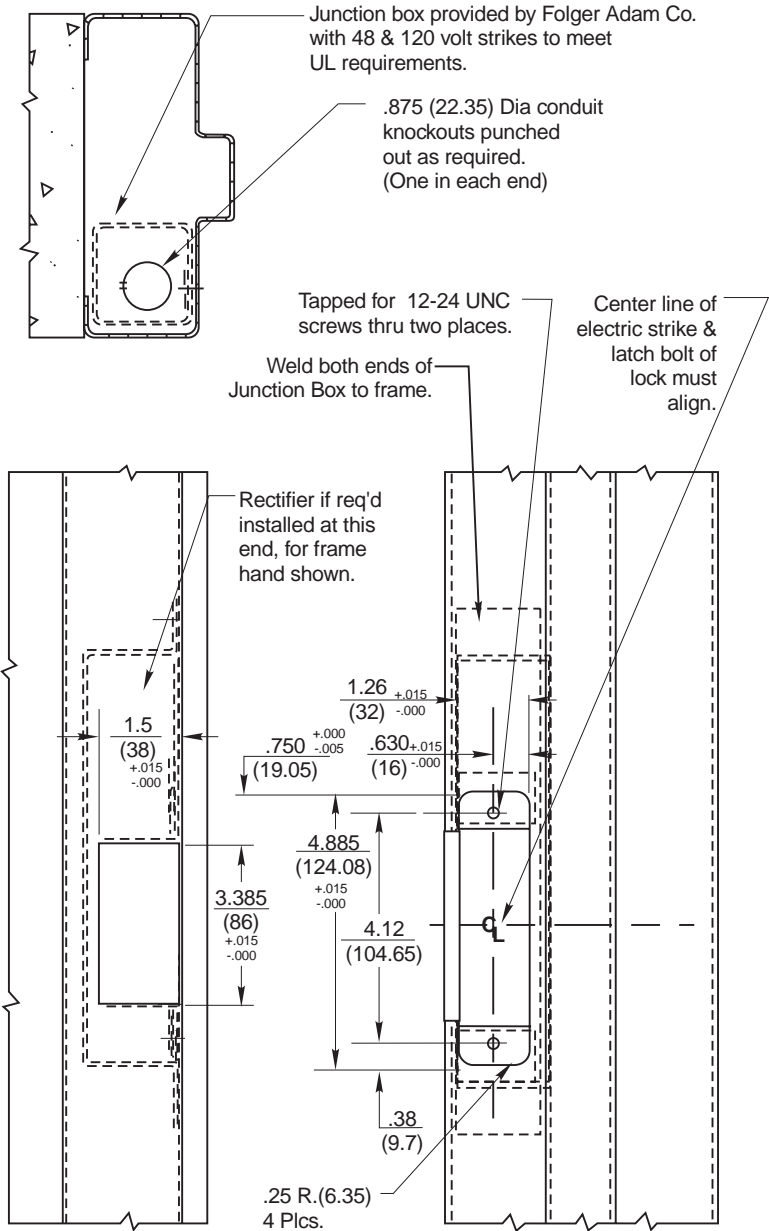
**722 Electric Strike**  
With Junction Box RH or LHRB Application

<p><b>FOLGER ADAM</b></p>	REF. REPAIR PART DWG.	<b>2500700</b>
	P.O. BOX 25288, CHARLOTTE, NC 28229-8010	
TEMPLATE NUMBER	<b>092-0250-006</b>	DATE
		<b>9-98</b>

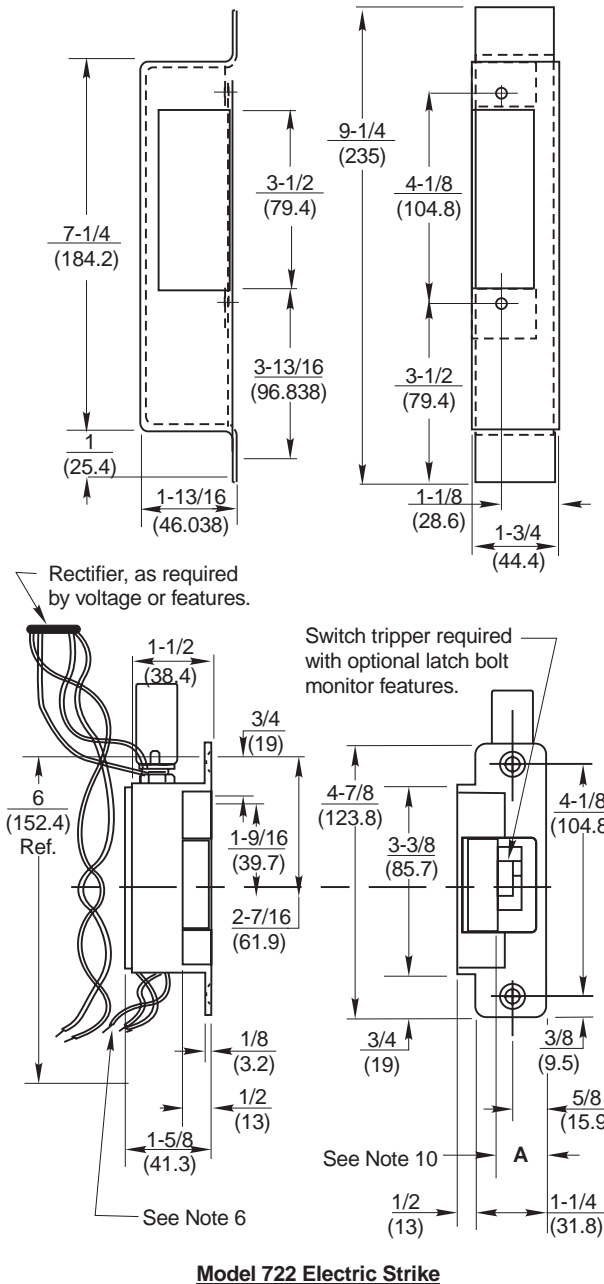


**Frame Preparation (RHRB Application Shown)**

Drawing shows only one method of installation. Method of installation may vary per door & frame manufacturer.



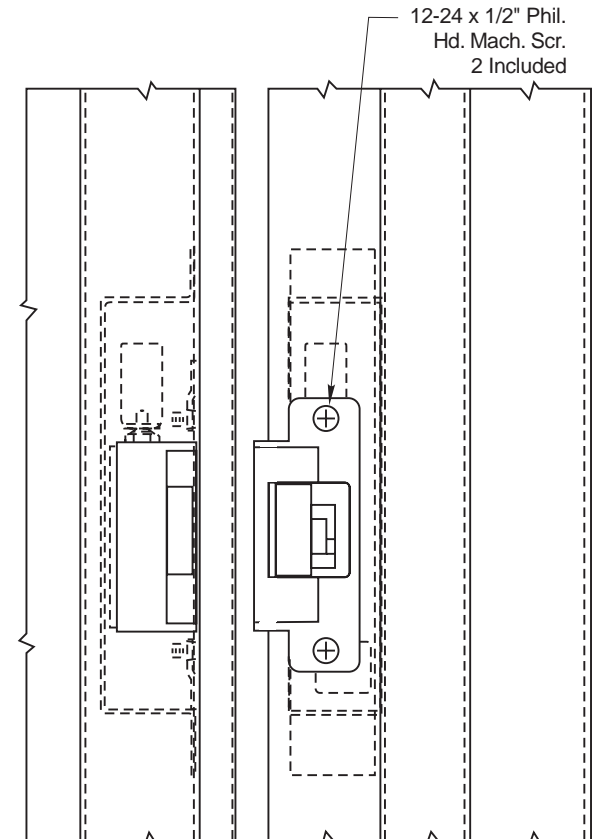
**Model 700 Junction Box For Model 722**



**Model 722 Electric Strike**

**NOTES:**

1. DO NOT SCALE - All dimensions in inches (mm).
2. Dimensions subject to change without notice.
3. Number of wires will vary per features of strike.
4. Cut off all excess wire not req'd for installation.
5. Wires to be run from side & rear of strike to conduit connection.
6. All wiring connections to be made opposite the solenoid end of strike. If a rectifier (optional) is used, it must be installed opposite the solenoid end of strike.
7. Refer to catalog for standard & optional features.
8. Door & frame manufacturers are responsible for providing adequate construction or reinforcements for proper installation of hardware.
9. Tolerances shown are for cutouts.
10. Dimension "A" (Keeper Position) is adjustable from .80 to 1.00. To adjust, loosen the two 8-32 RHMS which are used to mount strike, reposition strike, and retighten screws.



**722 Electric Strike**  
With Junction Box LH or RHRB Application



TEMPLATE NUMBER

**092-0250-007**

REF. REPAIR PART DWG.

**2500700**

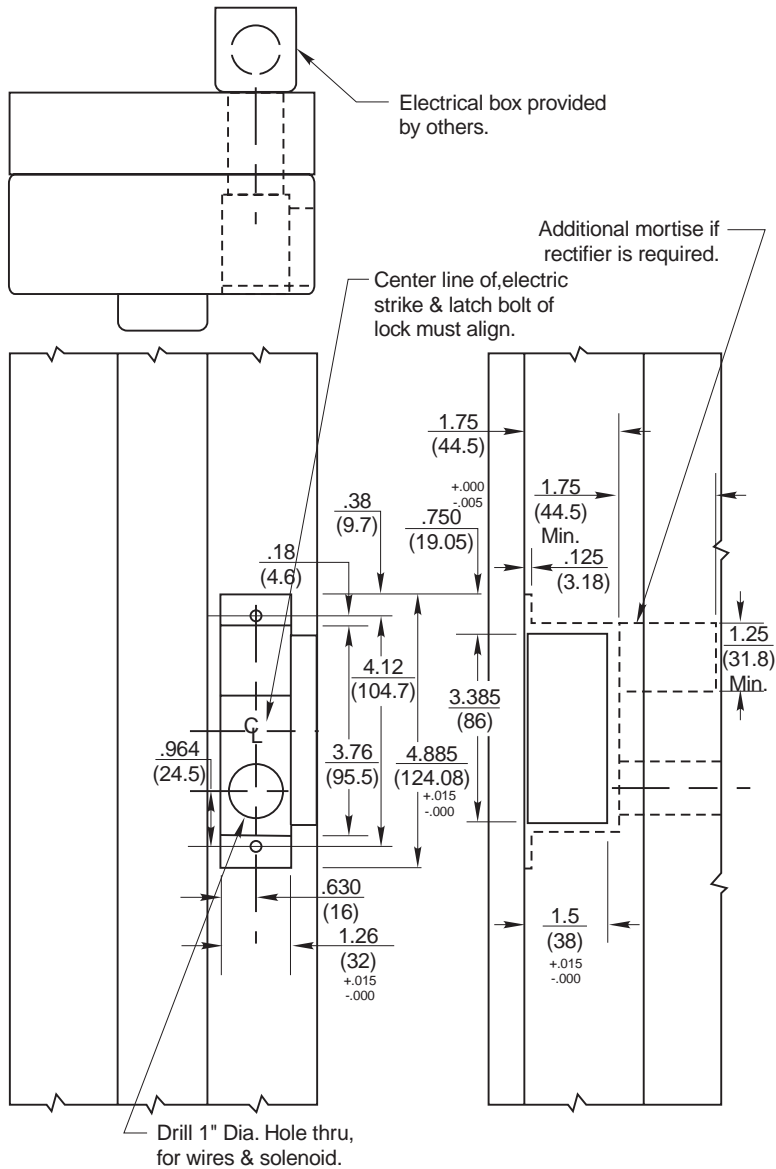
P.O. BOX 25288, CHARLOTTE, NC 28229-8010

DATE

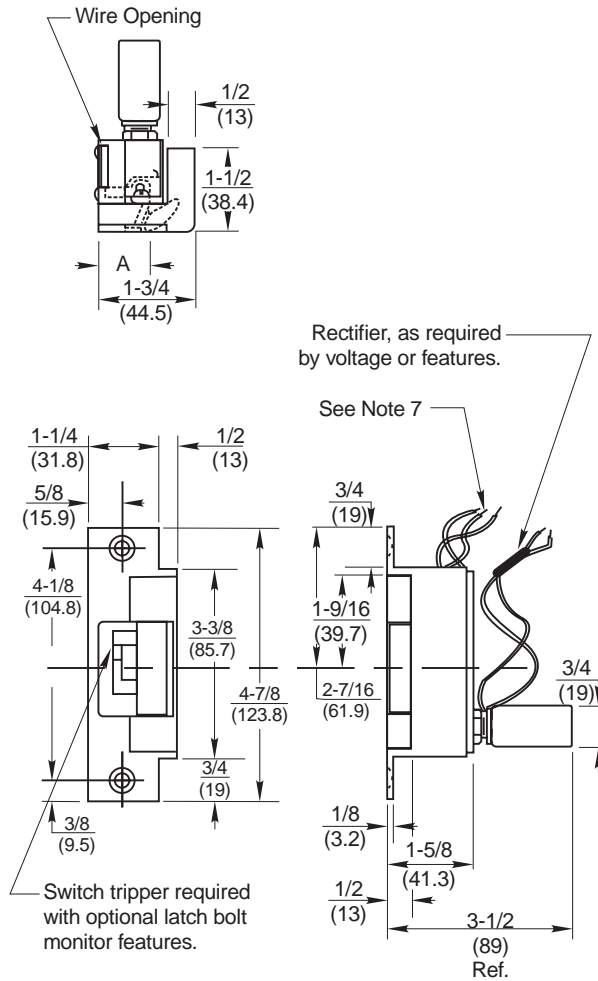
**9-98**

**Frame Preparation (LHRB Application Shown)**

Drawing shows only one method of installation. Method of installation may vary per door & frame manufacturer.



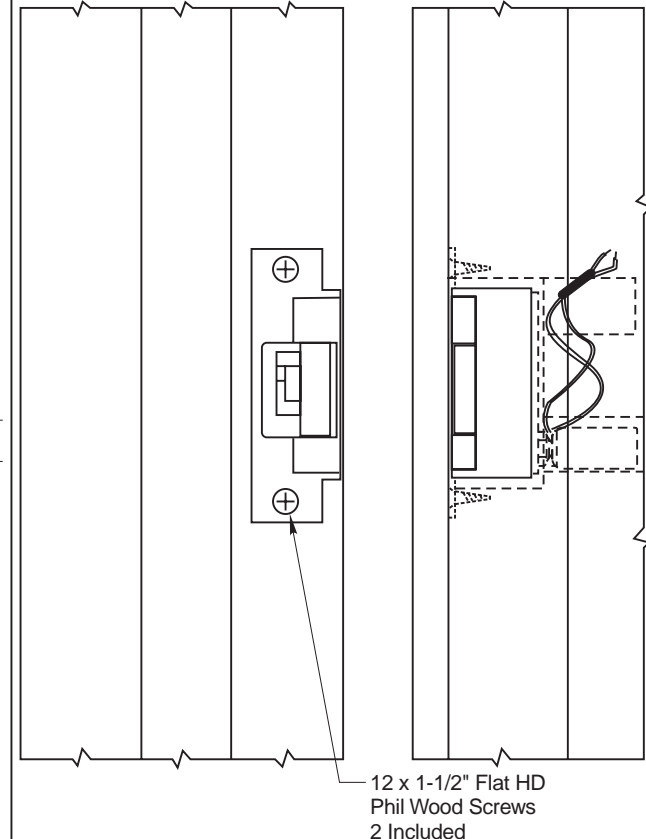
Dimension "A" (Keeper Position) is adjustable from .80 to 1.00. To adjust, loosen the two 8-32 RHMS which are used to mount strike, reposition strike, and reighten screws.



**Model 732 Electric Strike**

**NOTES:**

1. DO NOT SCALE - All dimensions in inches (mm).
2. Dimensions subject to change without notice.
3. 48 & 120 volt strikes are not UL listed.
4. Number of wires will vary per features of strike.
5. Cut off all excess wire not req'd for installation.
6. Wires to be run from side & rear of strike to conduit connection.
7. All wiring connections to be made in an electrical junction box. If a rectifier (optional) is used, it must be installed in the additional mortise.
8. Refer to catalog for standard & optional features.
9. Door & frame manufacturers are responsible for providing adequate construction or reinforcements for proper installation of hardware.
10. Tolerances shown are for cutouts.



**732 Electric Strike  
RH or LHRB Application**



REF. REPAIR PART DWG.

**2500732**

P.O. BOX 25288, CHARLOTTE, NC 28229-8010

TEMPLATE NUMBER

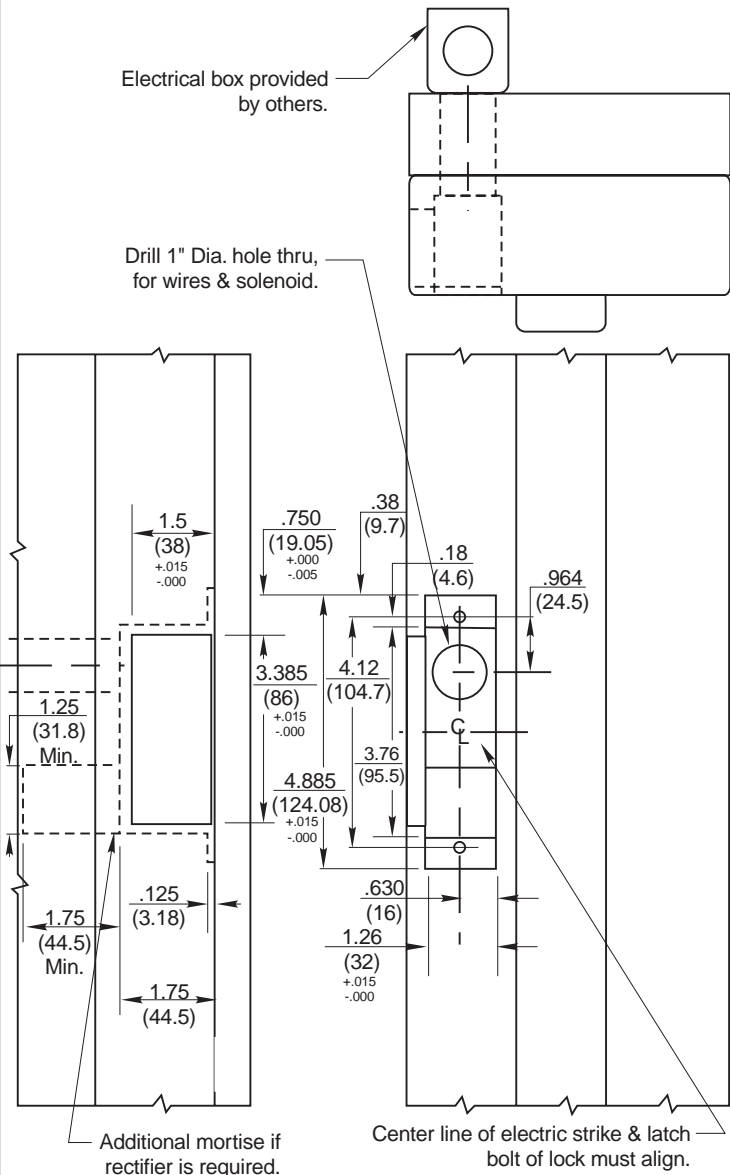
**092-0250-008**

DATE

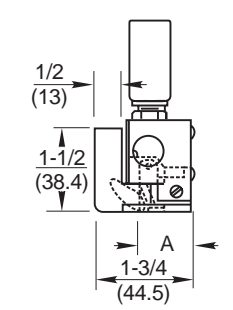
**7-98**

**Frame Preparation (RHRB Application Shown)**

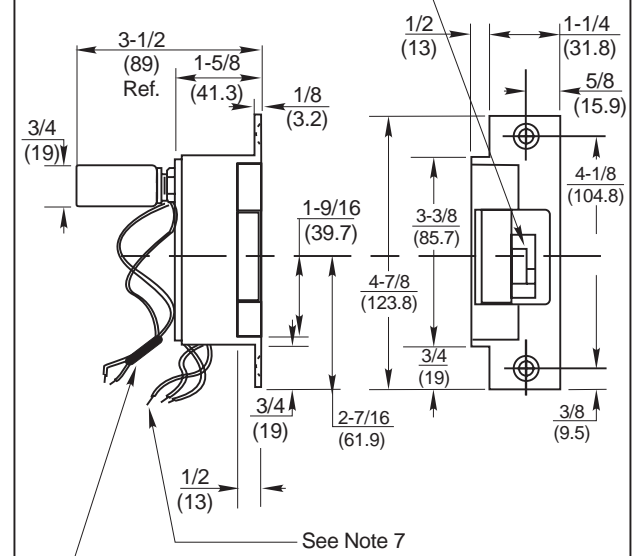
Drawing shows only one method of installation. Method of installation may vary per door & frame manufacturer.



Dimension "A" (Keeper Position) is adjustable from .80 to 1.00. To adjust, loosen the two 8-32 RHMS which are used to mount strike, reposition strike, and retighten screws.

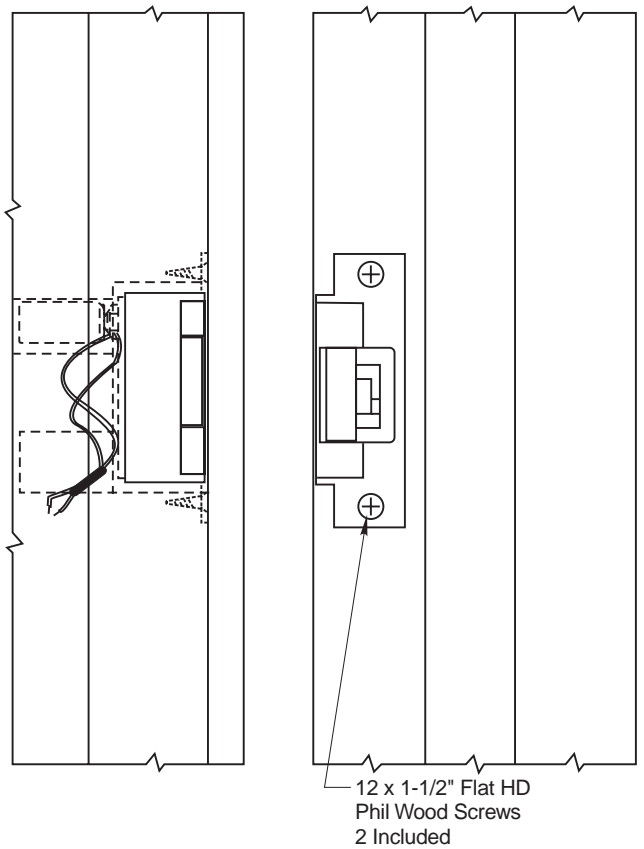


Switch tripper required with optional latch bolt monitor features.



Rectifier, as required by voltage or features.

**Model 732 Electric Strike**



**NOTES:**

1. DO NOT SCALE - All dimensions in inches (mm).
2. Dimensions subject to change without notice.
3. 48 & 120 volt strikes are not UL listed.
4. Number of wires will vary per features of strike.
5. Cut off all excess wire not req'd for installation.
6. Wires to be run from side & rear of strike to conduit connection.
7. All wiring connections to be made in an electrical junction box. If a rectifier (optional) is used, it must be installed in the additional mortise.
8. Refer to catalog for standard & optional features.
9. Door & frame manufacturers are responsible for providing adequate construction or reinforcements for proper installation of hardware.
10. Tolerances shown are for cutouts.

**732 Electric Strike  
LH or RHRB Application**

	REF. REPAIR PART DWG.	<b>2500732</b>
	P.O. BOX 25288, CHARLOTTE, NC 28229-8010	
TEMPLATE NUMBER	<b>092-0250-009</b>	DATE
		<b>7-98</b>

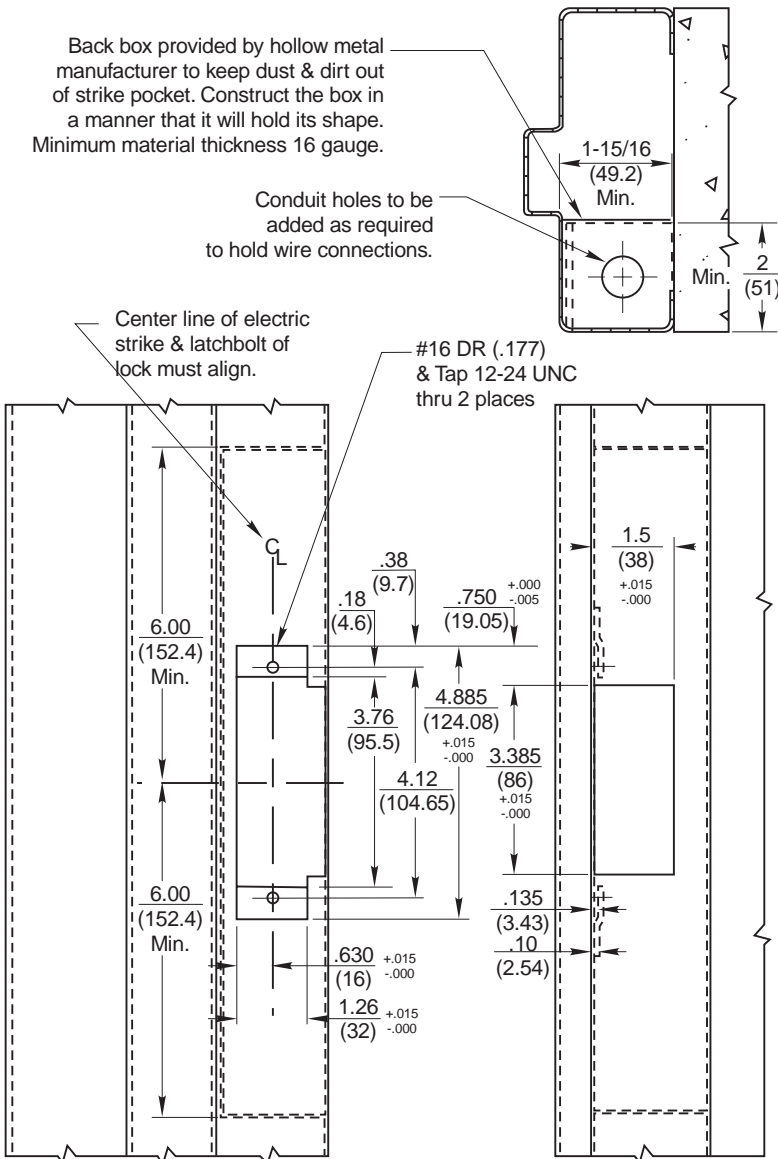
### Frame Preparation (LHRB Application Shown)

Drawing shows only one method of installation. Method of installation may vary per door & frame manufacturer.

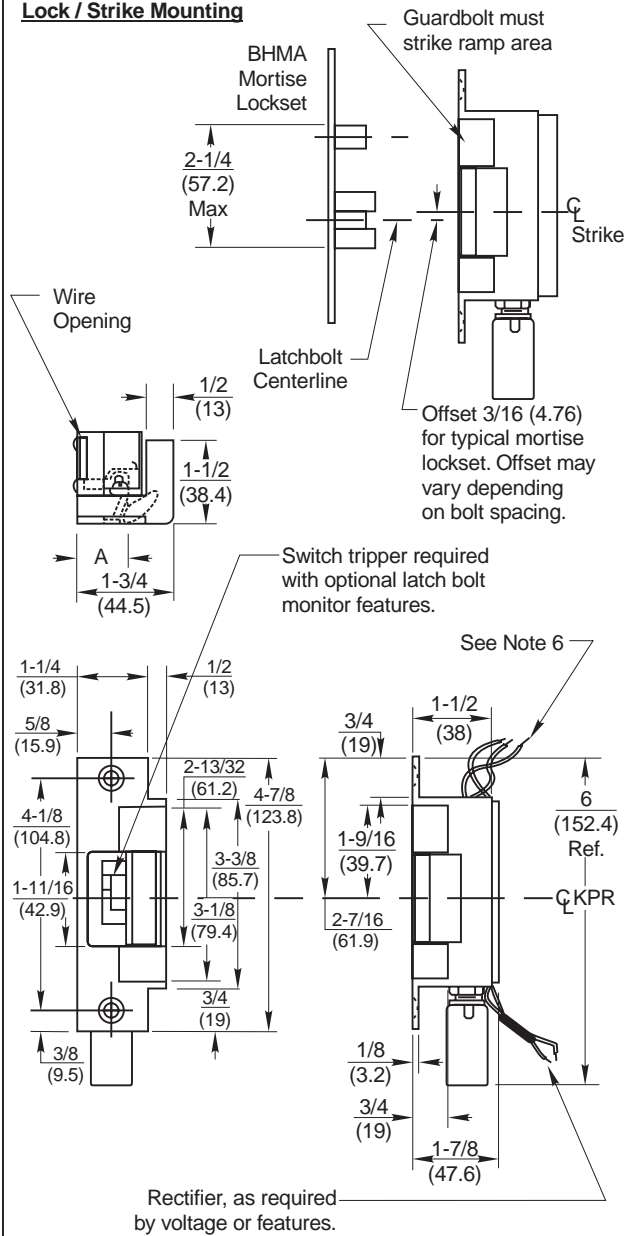
Back box provided by hollow metal manufacturer to keep dust & dirt out of strike pocket. Construct the box in a manner that it will hold its shape. Minimum material thickness 16 gauge.

Conduit holes to be added as required to hold wire connections.

Center line of electric strike & latchbolt of lock must align.



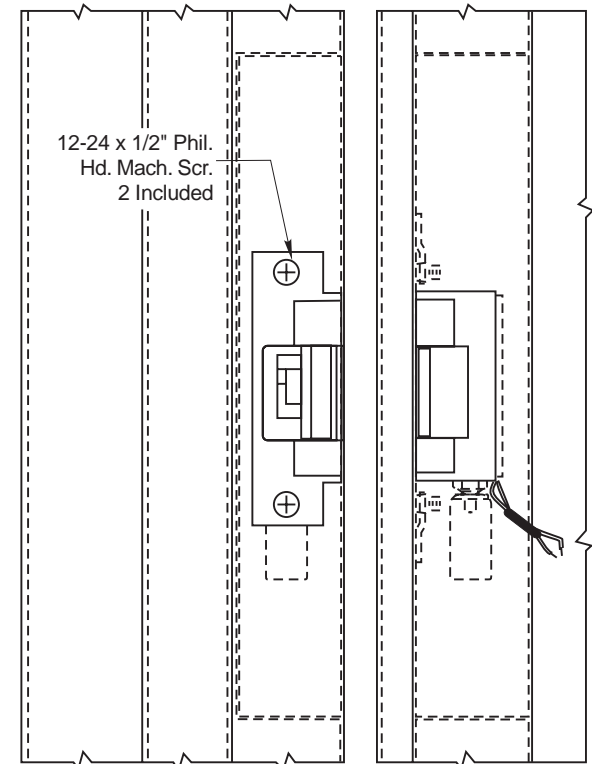
### Lock / Strike Mounting



Model 712-75 Electric Strike

### NOTES:

1. DO NOT SCALE - All dimensions in inches (mm).
2. Dimensions subject to change without notice.
3. Number of wires will vary per features of strike.
4. Cut off all excess wire not req'd for installation.
5. Wires to be run from side & rear of strike to conduit connection.
6. All wiring connections to be made opposite the solenoid end of strike. If a rectifier (optional) is used, it may be installed at either end of strike.
7. Refer to catalog for standard & optional features.
8. Door & frame manufacturers are responsible for providing adequate construction or reinforcements for proper installation of hardware.
9. Tolerances shown are for cutouts.
10. Dimension A (Keeper Position) is adjustable from .80 to 1.00. To adjust, loosen the two 8-32 RHMS which are used to mount strike, reposition strike, and retighten screws.



## 712-75 Electric Strike



TEMPLATE NUMBER

092-0250-010

REF. REPAIR PART DWG.

2500700

P.O. BOX 25288, CHARLOTTE, NC 28229-8010

DATE

7-98

**Frame Preparation (LHRB Application Shown)**

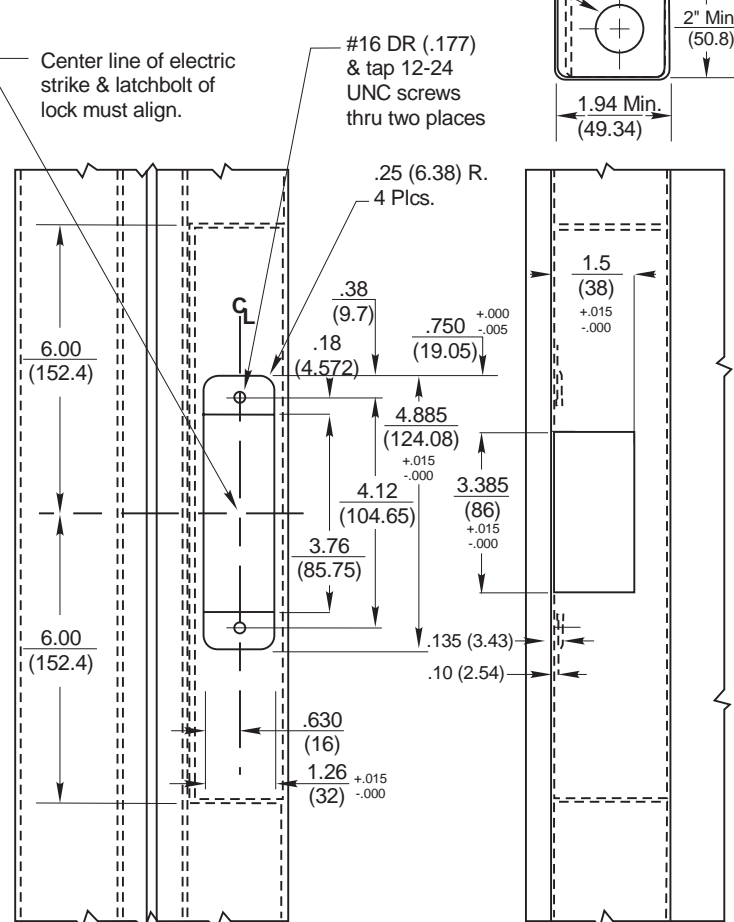
Drawing shows only one method of installation. Method of installation may vary per door & frame manufacturer.

Back box provide by frame manufacturer to keep dust & dirt out of strike pocket. Construct the box in a manner that it will hold its shape. Minimum material thickness 16 gauge.

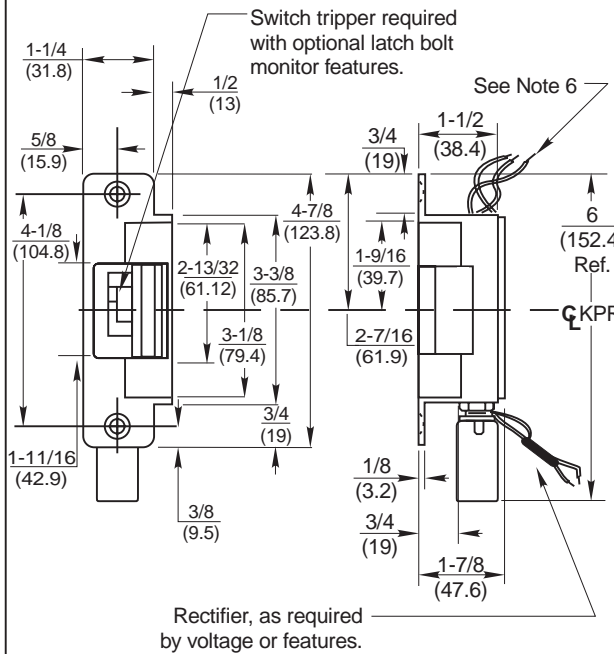
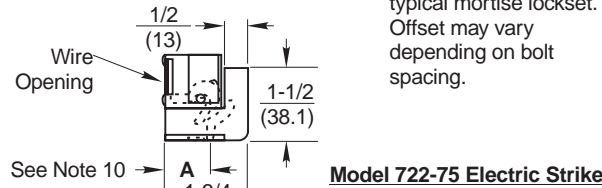
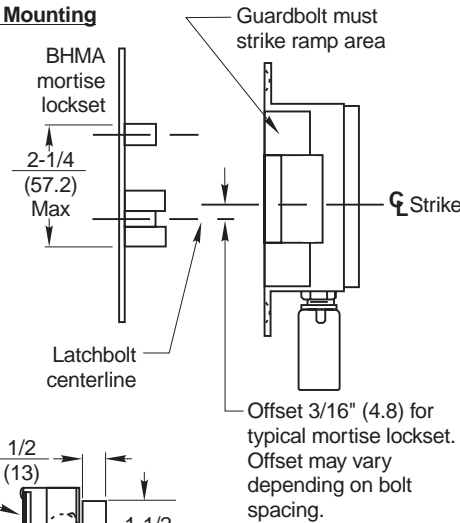
Conduit holes to be added as required to hold wire connections.

Center line of electric strike & latchbolt of lock must align.

#16 DR (.177) & tap 12-24 UNC screws thru two places

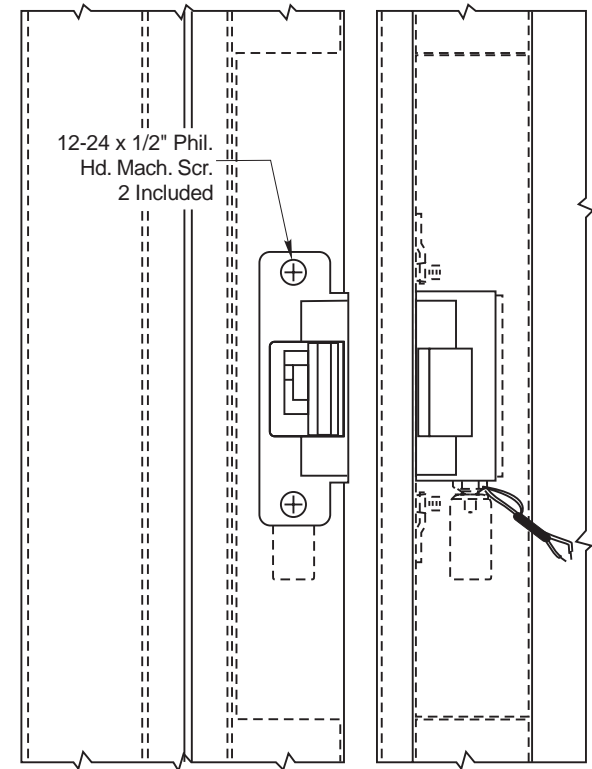


**Lock/Strike Mounting**



**NOTES:**

1. DO NOT SCALE - All dimensions in inches (mm).
2. Dimensions subject to change without notice.
3. Number of wires will vary per features of strike.
4. Cut off all excess wire not req'd for installation.
5. Wires to be run from side & rear of strike to conduit connection.
6. All wiring connections to be made opposite the solenoid end of strike. If a rectifier (optional) is used, it may be installed at either end of strike.
7. Refer to catalog for standard & optional features.
8. Door & frame manufacturers are responsible for providing adequate construction or reinforcements for proper installation of hardware.
9. Tolerances shown are for cutouts.
10. Dimension "A" (Keeper Position) is adjustable from .80 to 1.00. To adjust, loosen the two 8-32 RHMS which are used to mount strike, reposition strike, and retighten screws.



**722-75 Electric Strike**



REF. REPAIR PART DWG.

**2500700**

P.O. BOX 25288, CHARLOTTE, NC 28229-8010

TEMPLATE NUMBER

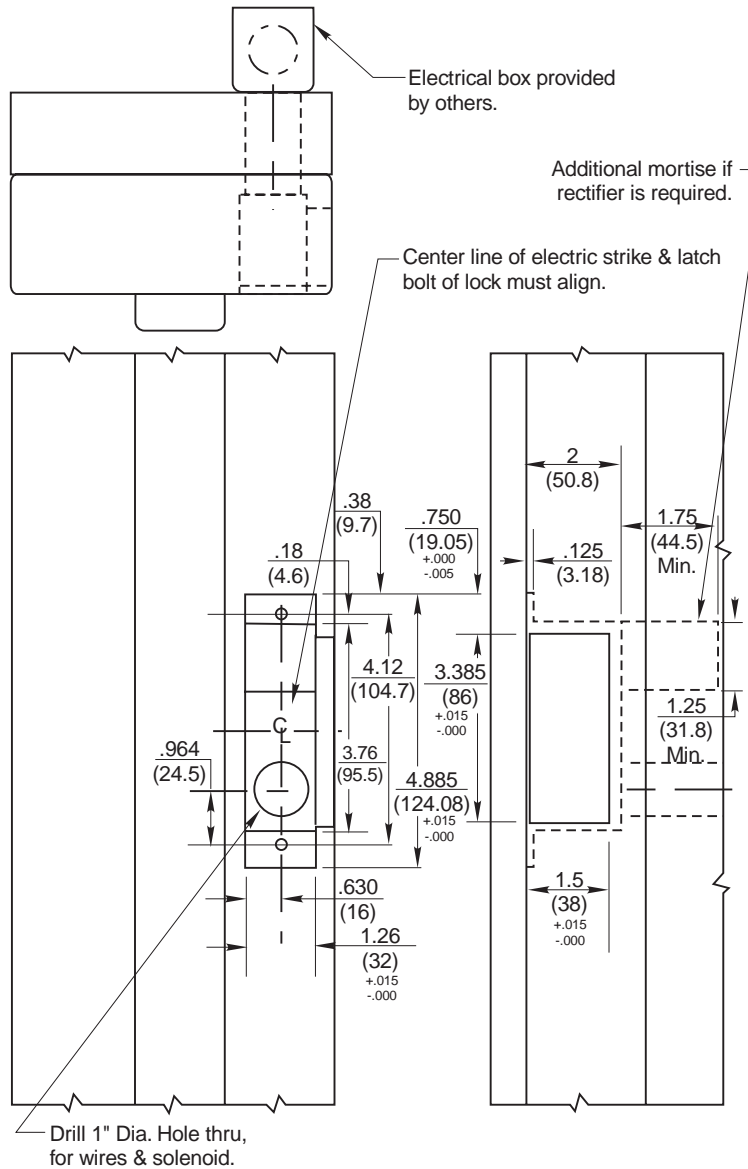
**092-0250-013**

DATE

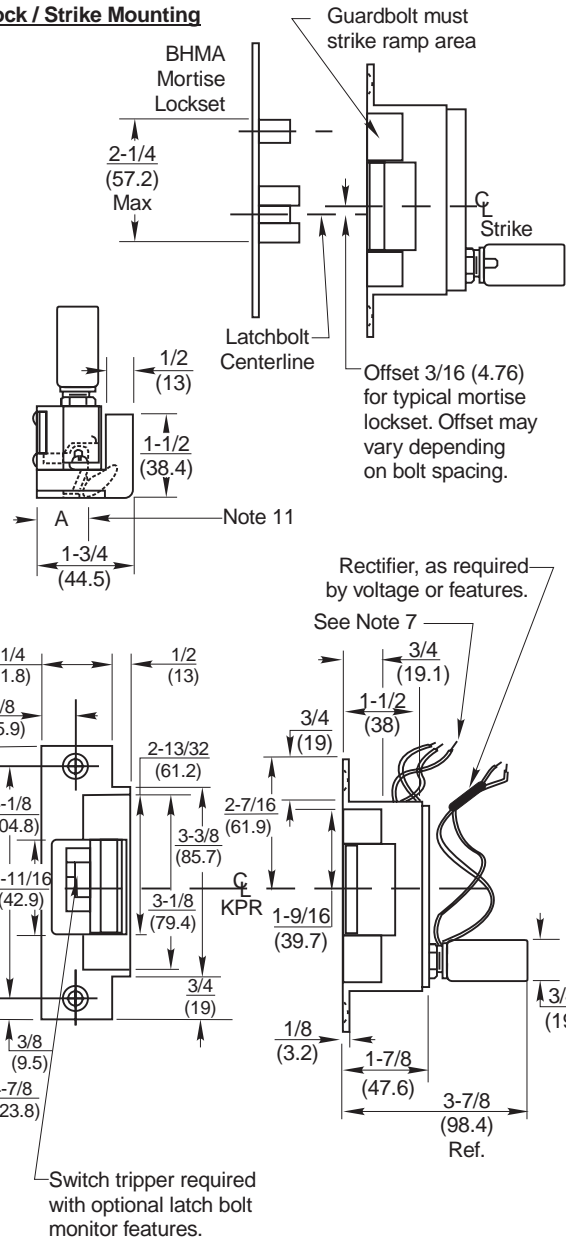
**9-98**

**Frame Preparation (LHRB Application Shown)**

Drawing shows only one method of installation. Method of installation may vary per door & frame manufacturer.



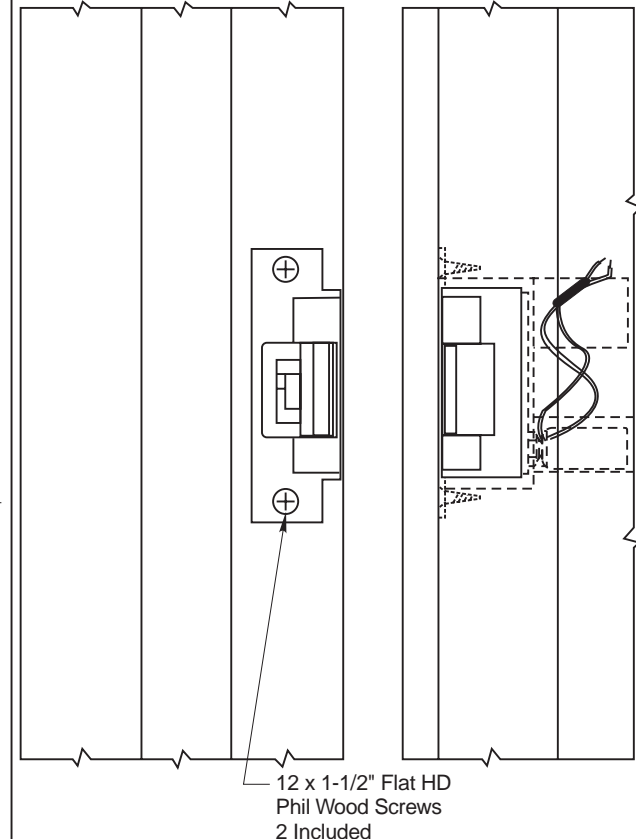
**Lock / Strike Mounting**



**Model 732-75 Electric Strike**

**NOTES:**

1. DO NOT SCALE - All dimensions in inches (mm).
2. Dimensions subject to change without notice.
3. 48 & 120 volt strikes are not UL listed.
4. Number of wires will vary per features of strike.
5. Cut off all excess wire not req'd for installation.
6. Wires to be run from side & rear of strike to conduit connection.
7. All wiring connections to be made in an electrical junction box. If a rectifier (optional) is used, it must be installed in the additional mortise.
8. Refer to catalog for standard & optional features.
9. Door & frame manufacturers are responsible for providing adequate construction or reinforcements for proper installation of hardware.
10. Tolerances shown are for cutouts.
11. Dimension "A" (Keeper Position) is adjustable from .80 to 1.00. To adjust, loosen the two 8-32 RHMS which are used to mount strike, reposition strike, and retighten screws.



**732-75 Electric Strike  
RH or LHRB Application**



REF. REPAIR PART DWG.

**2500732**

P.O. BOX 25288, CHARLOTTE, NC 28229-8010

TEMPLATE NUMBER

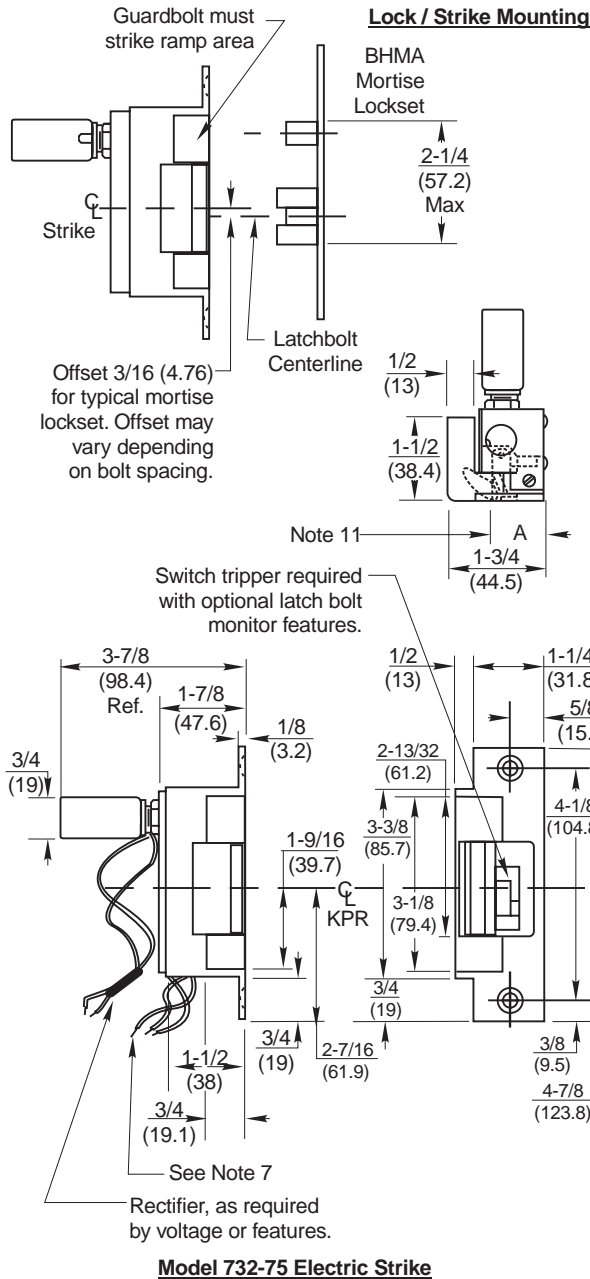
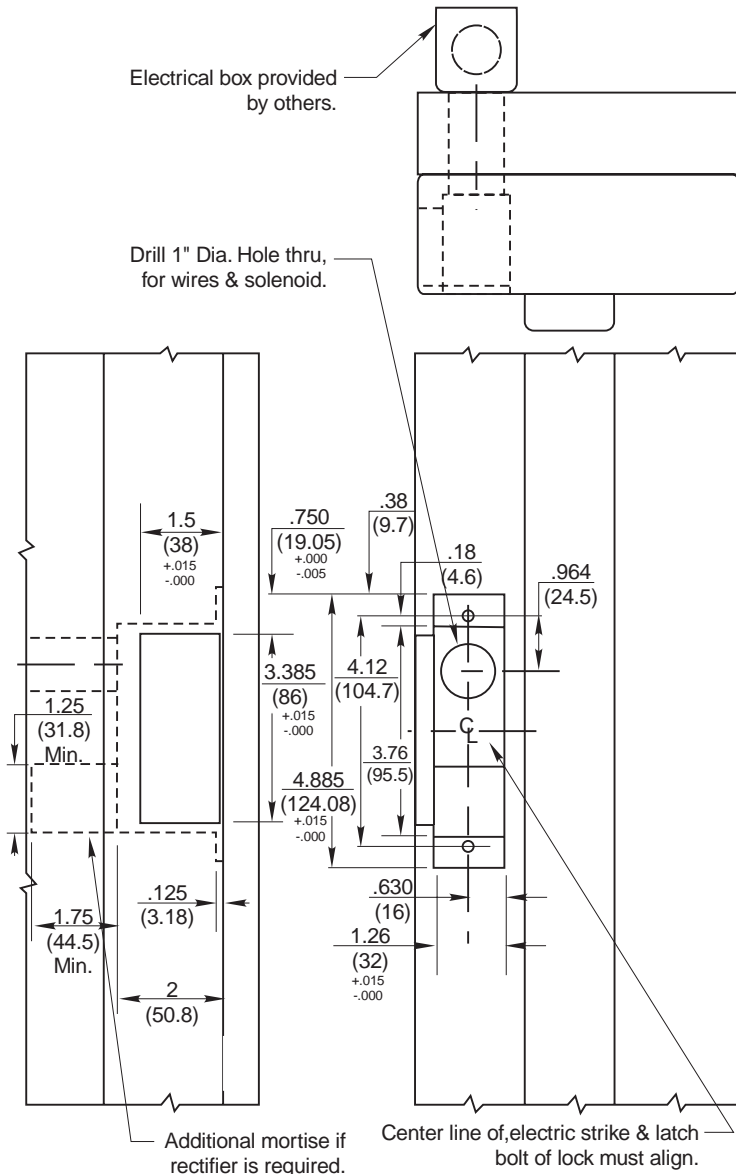
**092-0250-016**

DATE

**7-98**

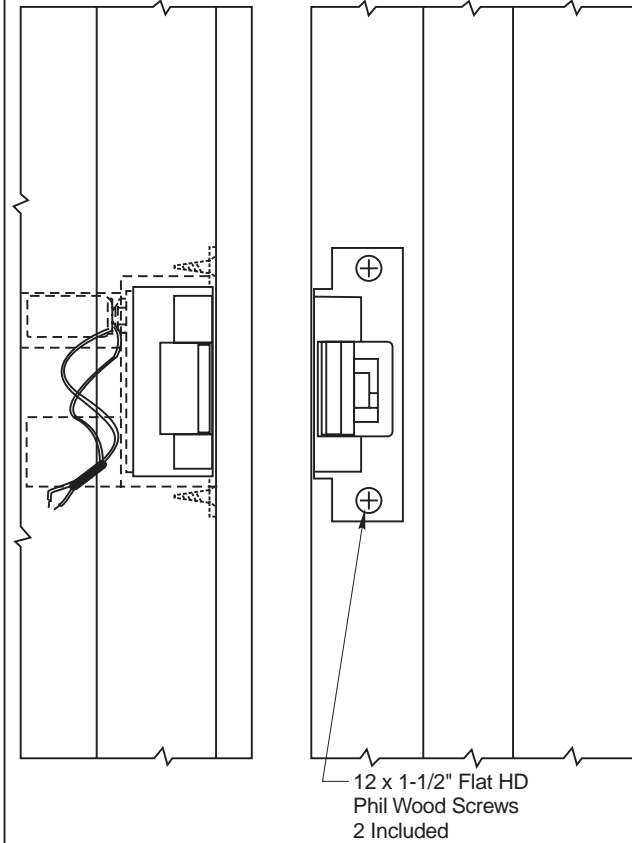
**Frame Preparation (RHRB Application Shown)**

Drawing shows only one method of installation. Method of installation may vary per door & frame manufacturer.



**NOTES:**

1. DO NOT SCALE - All dimensions in inches (mm).
2. Dimensions subject to change without notice.
3. 48 & 120 volt strikes are not UL listed.
4. Number of wires will vary per features of strike.
5. Cut off all excess wire not req'd for installation.
6. Wires to be run from side & rear of strike to conduit connection.
7. All wiring connections to be made in an electrical junction box. If a rectifier (optional) is used, it must be installed in the additional mortise.
8. Refer to catalog for standard & optional features.
9. Door & frame manufacturers are responsible for providing adequate construction or reinforcements for proper installation of hardware.
10. Tolerances shown are for cutouts.
11. Dimension "A" (Keeper Position) is adjustable from .80 to 1.00. To adjust, loosen the two 8-32 RHMS which are used to mount strike, reposition strike, and retighten screws.



**732-75 Electric Strike  
LH or RHRB Application**



REF. REPAIR PART DWG.

**2500732**

P.O. BOX 25288, CHARLOTTE, NC 28229-8010

TEMPLATE NUMBER

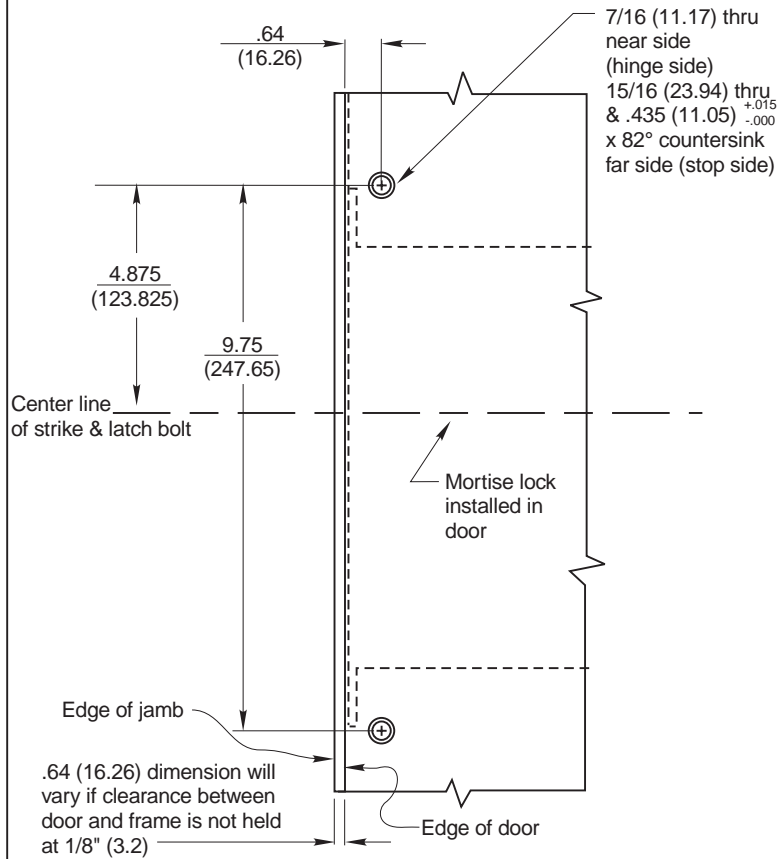
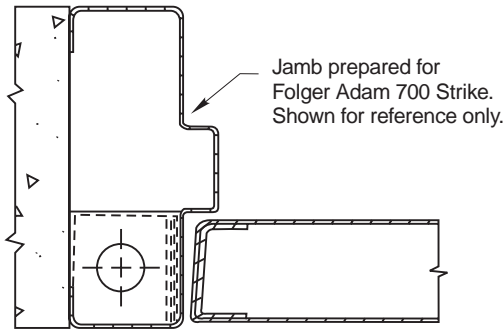
**092-0250-017**

DATE

**7-98**

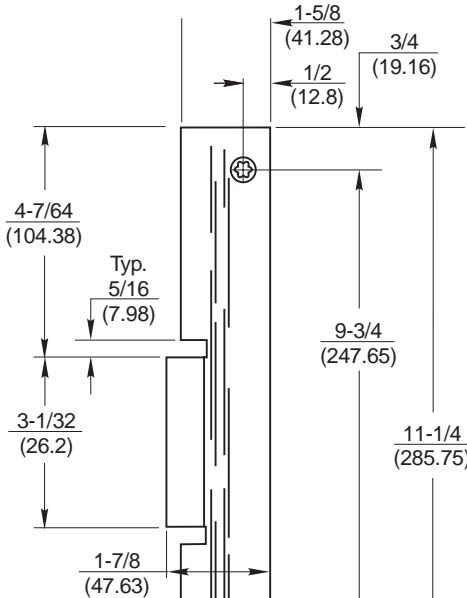
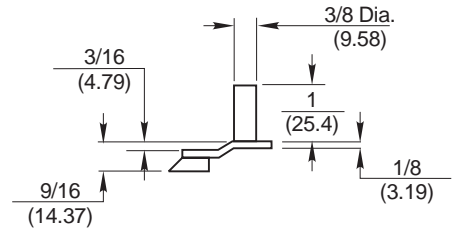
**Frame Preparation (RHRB Application Shown)**

Drawing shows only one method of installation. Method of installation may vary per door & frame manufacturer.

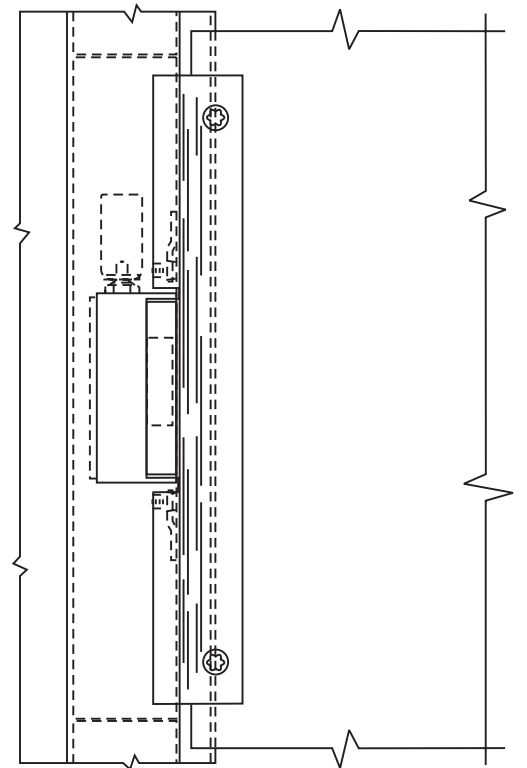
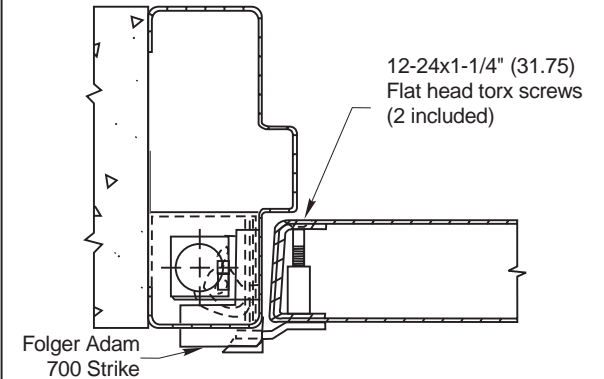


**NOTES:**

1. DO NOT SCALE - All dimensions in inches (mm).
2. Dimensions subject to change without notice.
3. Door & frame manufacturers are responsible for providing adequate construction or reinforcements for proper installation of hardware.
4. Tolerances shown are for cutouts.
5. Refer to catalog for standard & optional features.
6. Refer to catalog for available finishes.



Model 700 Astragal



**Astragal for 700 Strike**



TEMPLATE NUMBER

**092-0250-018**

REF. REPAIR PART DWG.

**076-0825**

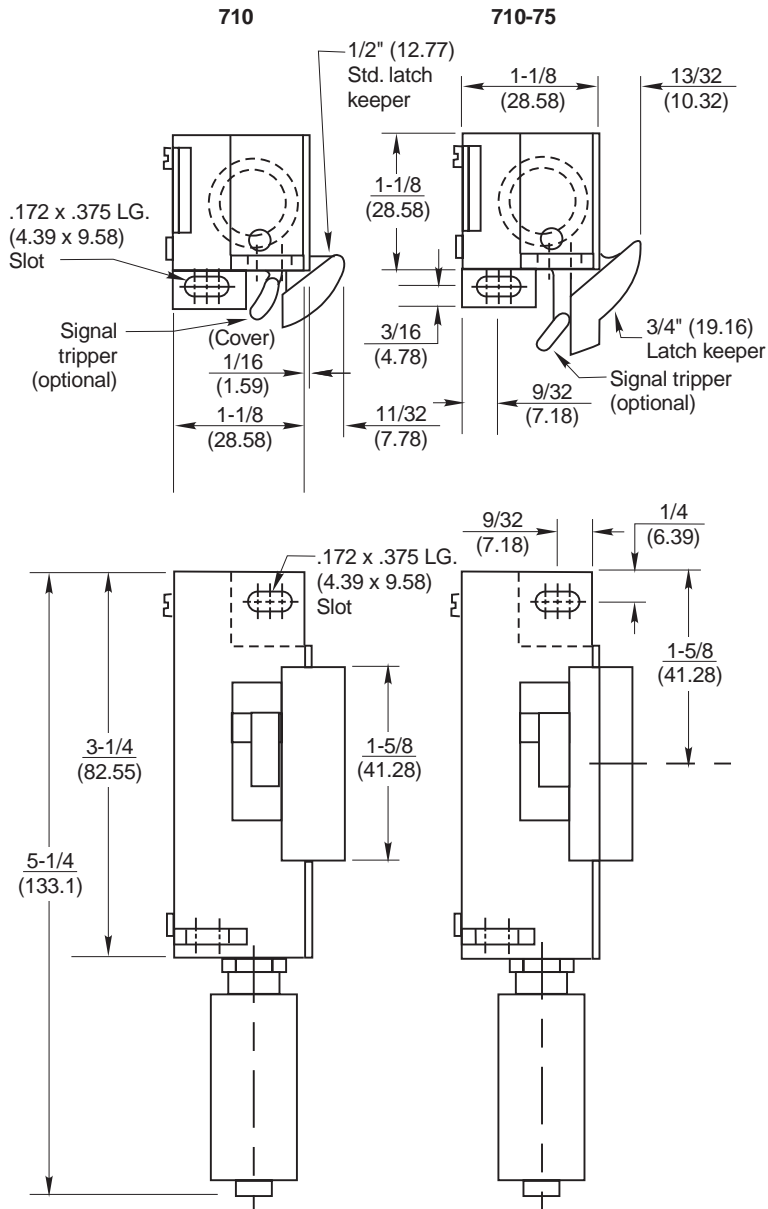
P.O. BOX 25288, CHARLOTTE, NC 28229-8010

DATE

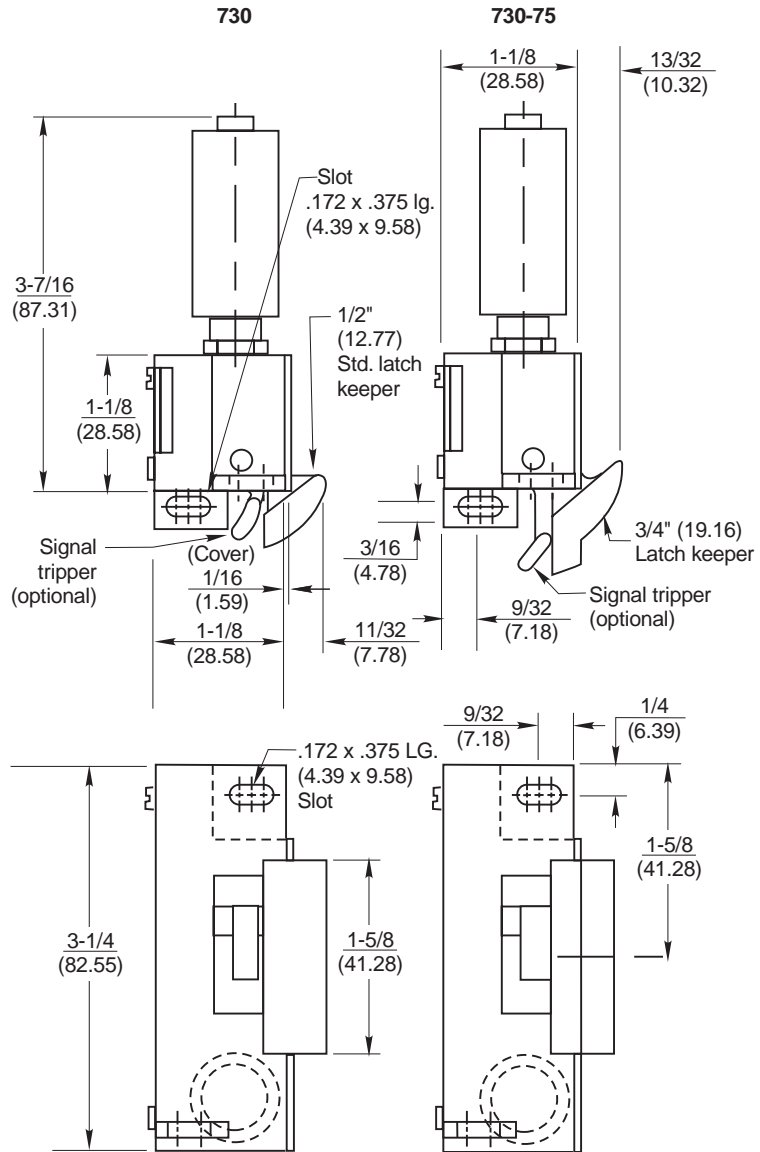
**9-98**



### 710 Electric Strike



### 730 Electric Strike



#### NOTES:

1. DO NOT SCALE - All dimensions in inches (mm).
2. Dimensions subject to change without notice.
3. Door & frame manufacturers are responsible for providing adequate construction or reinforcements for proper installation of hardware.
4. Tolerances shown are for cutouts.
5. Refer to catalog for standard & optional features.

Locking mechanism only - without faceplate. For use with custom applications or as a replacement. To be used with one of the standard faceplates.

## 710, 710-75, 730, 730-75 Strikes



REF. REPAIR PART DWG.

P.O. BOX 25288, CHARLOTTE, NC 28229-8010

TEMPLATE NUMBER

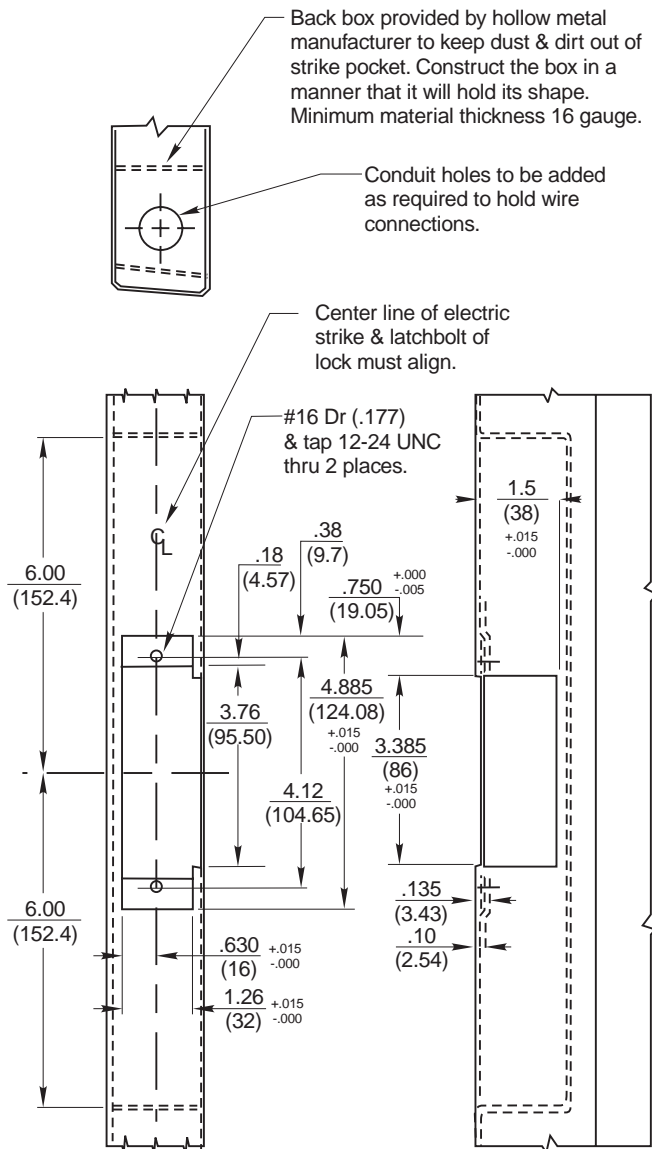
**092-0250-019**

DATE

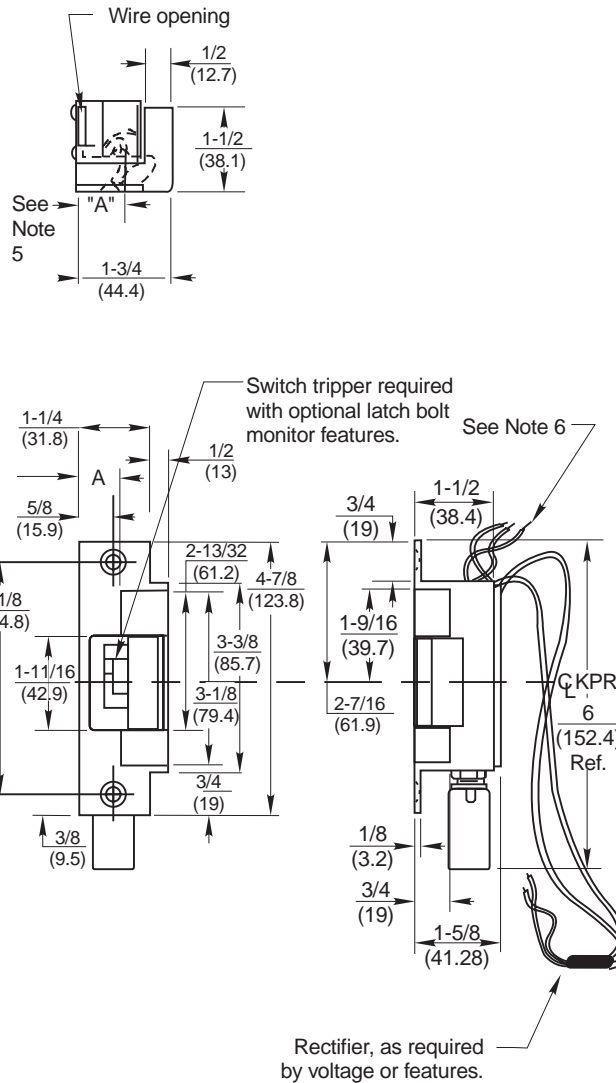
**9-98**

**Door Preparation (LHRB Application Shown)**

Drawing shows only one method of installation. Method of installation may vary per door & frame manufacturer.

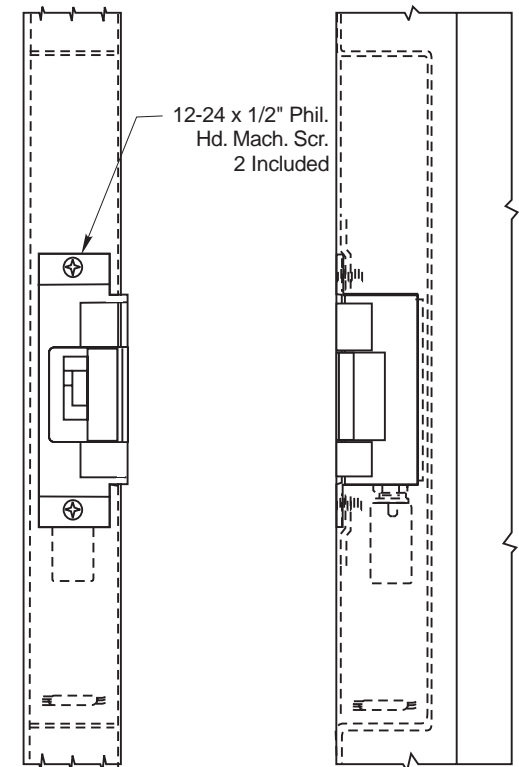


**Model 712 Electric Strike**  
(Template)



**NOTES:**

1. DO NOT SCALE - All dimensions in inches (mm).
2. Dimensions subject to change without notice.
3. Number of wires will vary per features of strike.
4. Cut off all excess wire not req'd for installation.
5. Dimension "A" (Keeper Position) is adjustable from .80 to 1.00 (20.3 - 25.4). To adjust, loosen the two 8-32 RHMS which are used to mount strike, reposition strike, and retighten screws.
6. All wiring connections to be made opposite the solenoid end of strike. If a rectifier (optional) is used, it may be installed at either end of strike.
7. Refer to catalog for standard & optional features.
8. Door & frame manufacturers are responsible for providing adequate construction or reinforcements for proper installation of hardware.
9. Tolerances shown are for cutouts.
10. Wires to be run from side & rear of strike to conduit connection.
11. Requires a door coordinator.



**712 Electric Strike**  
For Inactive Hollow Metal Door



REF. REPAIR PART DWG.

**2500700**

P.O. BOX 25288, CHARLOTTE, NC 28229-8010

TEMPLATE NUMBER

**092-0250-020**

DATE

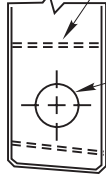
**9-98**

**Door Preparation (LHRB Application Shown)**

Drawing shows only one method of installation. Method of installation may vary per door & frame manufacturer.

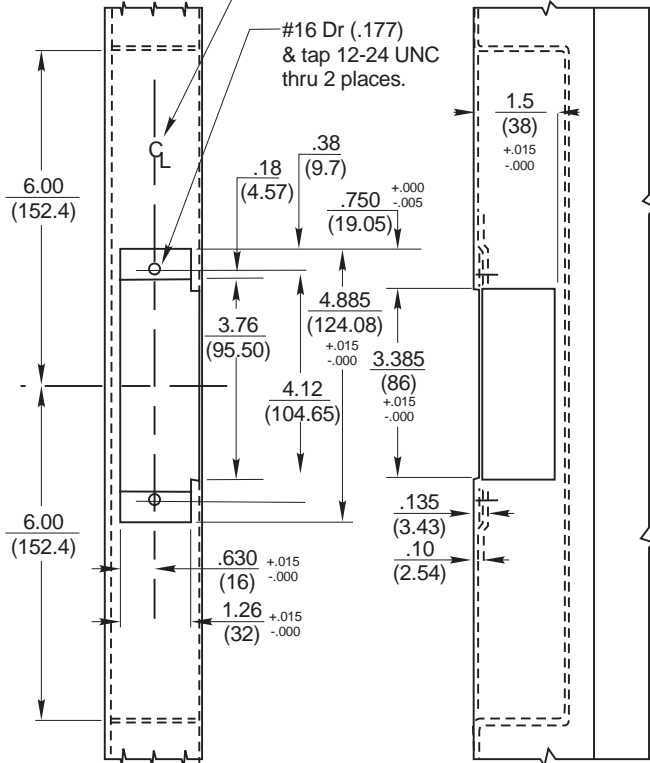
Back box provided by hollow metal manufacturer to keep dust & dirt out of strike pocket. Construct the box in a manner that it will hold its shape. Minimum material thickness 16 gauge.

Conduit holes to be added as required to hold wire connections.

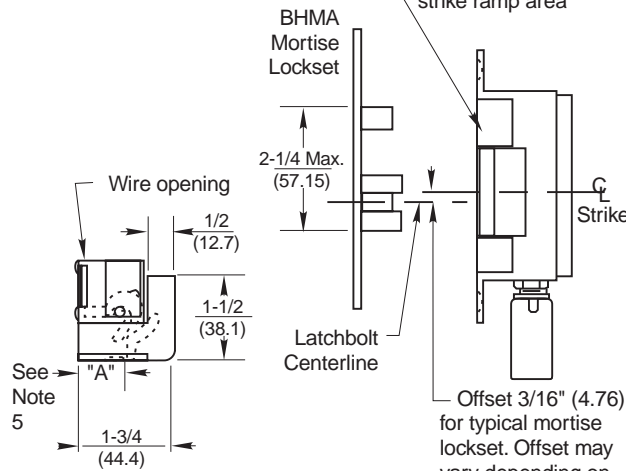


Center line of electric strike & latchbolt of lock must align.

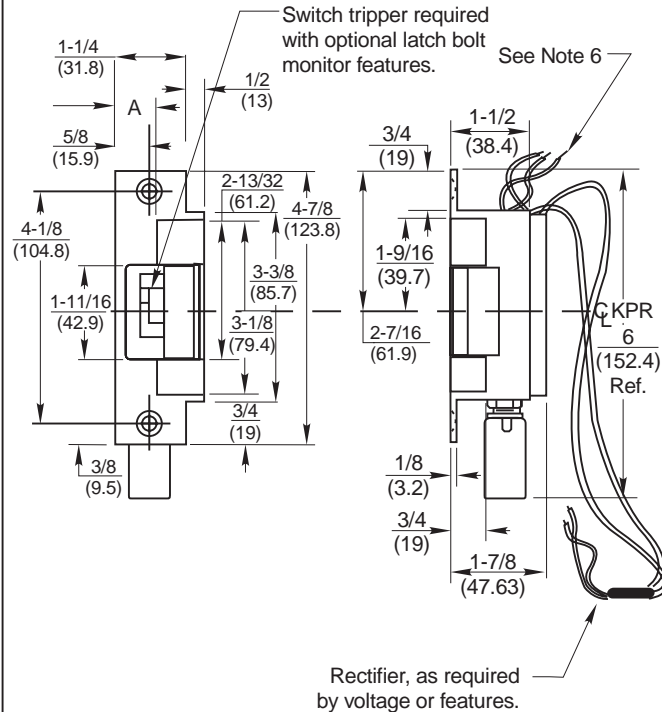
#16 Dr (.177) & tap 12-24 UNC thru 2 places.



**Lock/Strike Mounting**

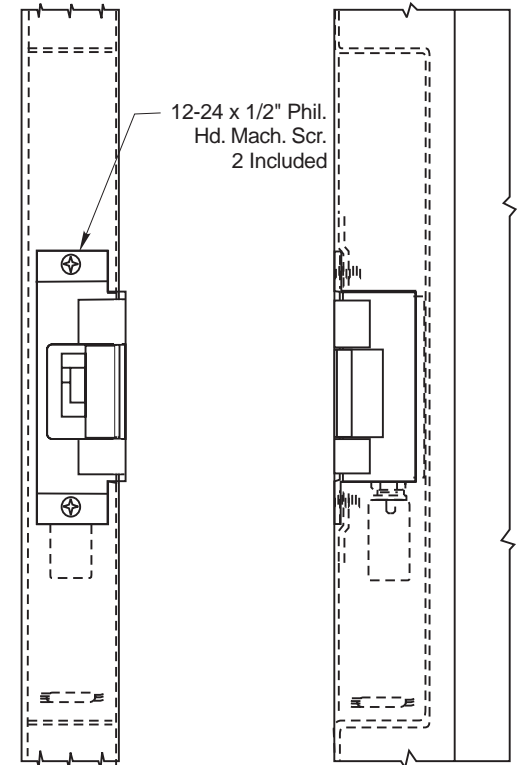


**Model 712-75 Electric Strike (Template)**



**NOTES:**

1. DO NOT SCALE - All dimensions in inches (mm).
2. Dimensions subject to change without notice.
3. Number of wires will vary per features of strike.
4. Cut off all excess wire not req'd for installation.
5. Dimension "A" (Keeper Position) is adjustable from .80 to 1.00 (20.3 - 25.4). To adjust, loosen the two 8-32 RHMS which are used to mount strike, reposition strike, and retighten screws.
6. All wiring connections to be made opposite the solenoid end of strike. If a rectifier (optional) is used, it may be installed at either end of strike.
7. Refer to catalog for standard & optional features.
8. Door & frame manufacturers are responsible for providing adequate construction or reinforcements for proper installation of hardware.
9. Tolerances shown are for cutouts.
10. Wires to be run from side & rear of strike to conduit connection.
11. Requires a door coordinator.



**712-75 Electric Strike  
For Inactive Hollow Metal Door**



REF. REPAIR PART DWG.

**2500700**

P.O. BOX 25288, CHARLOTTE, NC 28229-8010

TEMPLATE NUMBER

**092-0250-021**

DATE

**9-98**

**Door Preparation (LHRB Application Shown)**

Drawing shows only one method of installation. Method of installation may vary per door & frame manufacturer.

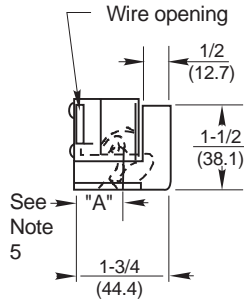
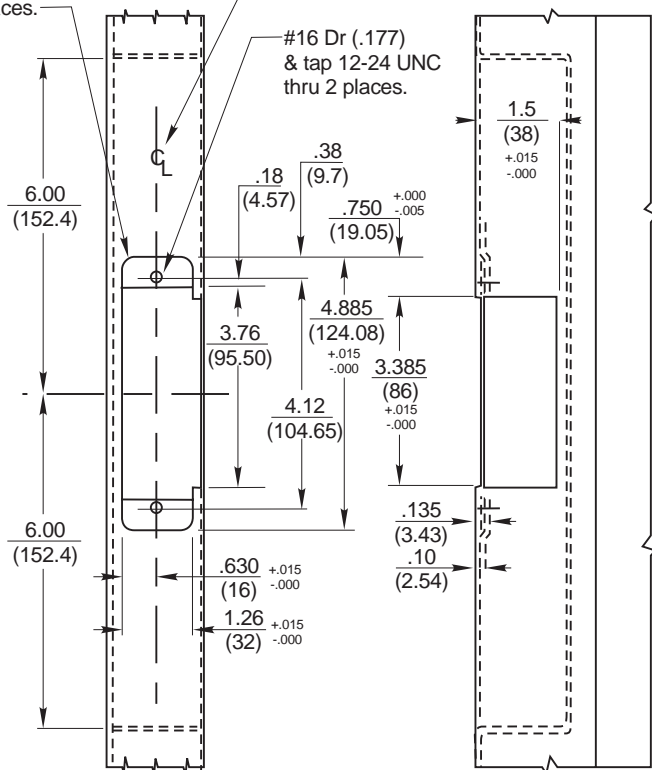
Back box provided by frame manufacturer to keep dust & dirt out of strike pocket. Construct the box in a manner that it will hold its shape. Minimum material thickness 16 gauge.

Conduit holes to be added as required to hold wire connections.

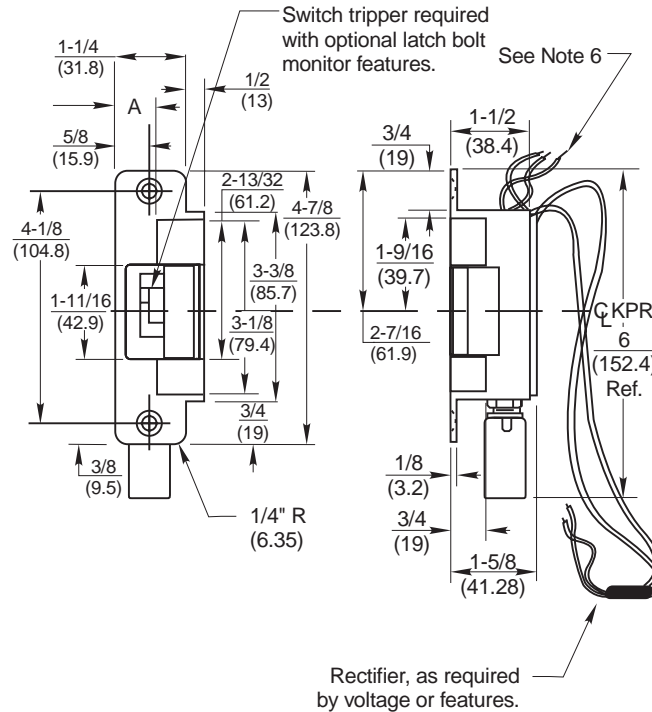
Center line of electric strike & latchbolt of lock must align.

.25 R (6.35)  
4 places.

#16 Dr (.177)  
& tap 12-24 UNC  
thru 2 places.

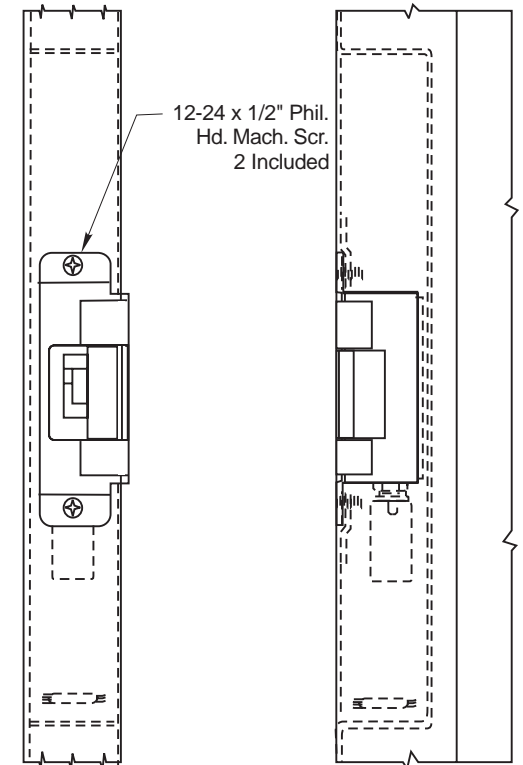


**Model 722 Electric Strike**  
(Template)



**NOTES:**

1. DO NOT SCALE - All dimensions in inches (mm).
2. Dimensions subject to change without notice.
3. Number of wires will vary per features of strike.
4. Cut off all excess wire not req'd for installation.
5. Dimension "A" (Keeper Position) is adjustable from .80 to 1.00 (20.3 - 25.4). To adjust, loosen the two 8-32 RHMS which are used to mount strike, reposition strike, and retighten screws.
6. All wiring connections to be made opposite the solenoid end of strike. If a rectifier (optional) is used, it may be installed at either end of strike.
7. Refer to catalog for standard & optional features.
8. Door & frame manufacturers are responsible for providing adequate construction or reinforcements for proper installation of hardware.
9. Tolerances shown are for cutouts.
10. Wires to be run from side & rear of strike to conduit connection.
11. Requires a door coordinator.



**722 Electric Strike**  
For Inactive Aluminum Door



REF. REPAIR PART DWG.

**2500700**

P.O. BOX 25288, CHARLOTTE, NC 28229-8010

TEMPLATE NUMBER

**092-0250-022**

DATE

**9-98**

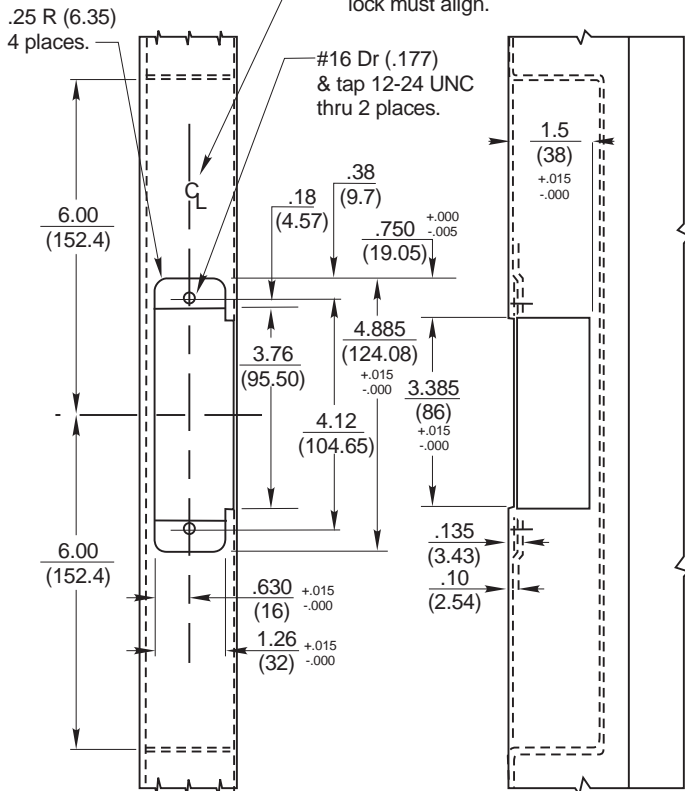
**Door Preparation (LHRB Application Shown)**

Drawing shows only one method of installation. Method of installation may vary per door & frame manufacturer.

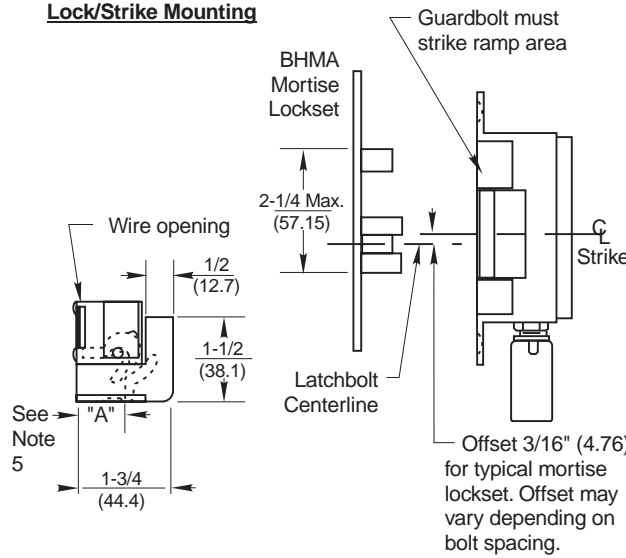
Back box provided by frame manufacturer to keep dust & dirt out of strike pocket. Construct the box in a manner that it will hold its shape. Minimum material thickness 16 gauge.

Conduit holes to be added as required to hold wire connections.

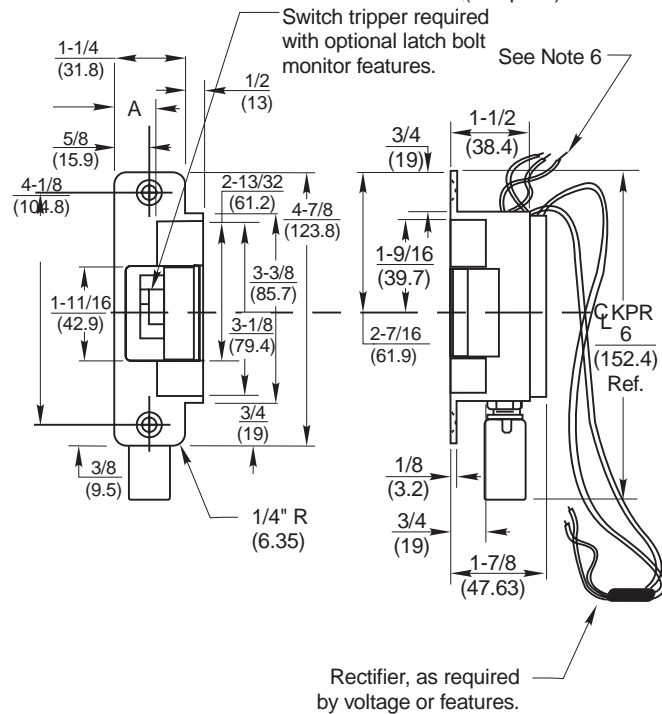
Center line of electric strike & latchbolt of lock must align.



**Lock/Strike Mounting**

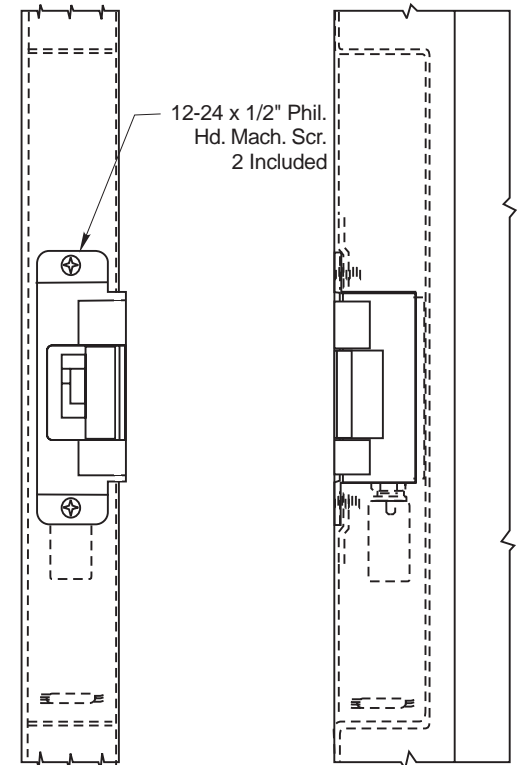


**Model 722-75 Electric Strike (Template)**



**NOTES:**

1. DO NOT SCALE - All dimensions in inches (mm).
2. Dimensions subject to change without notice.
3. Number of wires will vary per features of strike.
4. Cut off all excess wire not req'd for installation.
5. Dimension "A" (Keeper Position) is adjustable from .80 to 1.00 (20.3 - 25.4). To adjust, loosen the two 8-32 RHMS which are used to mount strike, reposition strike, and retighten screws.
6. All wiring connections to be made opposite the solenoid end of strike. If a rectifier (optional) is used, it may be installed at either end of strike.
7. Refer to catalog for standard & optional features.
8. Door & frame manufacturers are responsible for providing adequate construction or reinforcements for proper installation of hardware.
9. Tolerances shown are for cutouts.
10. Wires to be run from side & rear of strike to conduit connection.
11. Requires a door coordinator.



**722-75 Electric Strike For Inactive Aluminum Door**



REF. REPAIR PART DWG.

2500700

P.O. BOX 25288, CHARLOTTE, NC 28229-8010

TEMPLATE NUMBER

092-0250-023

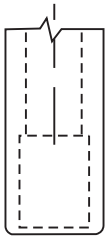
DATE

9-98

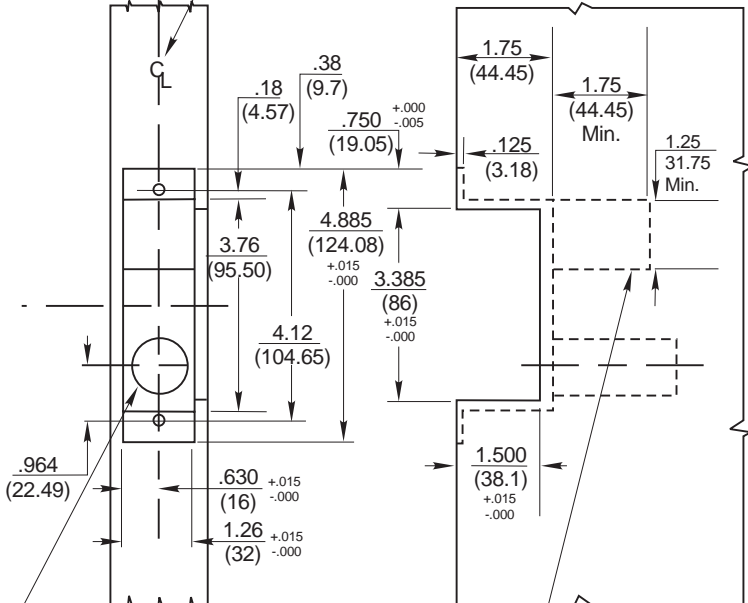
**Door Preparation (LHRB Application Shown)**

Drawing shows only one method of installation. Method of installation may vary per door & frame manufacturer.

Routing of wires for strike to be determined by door manufacturer.



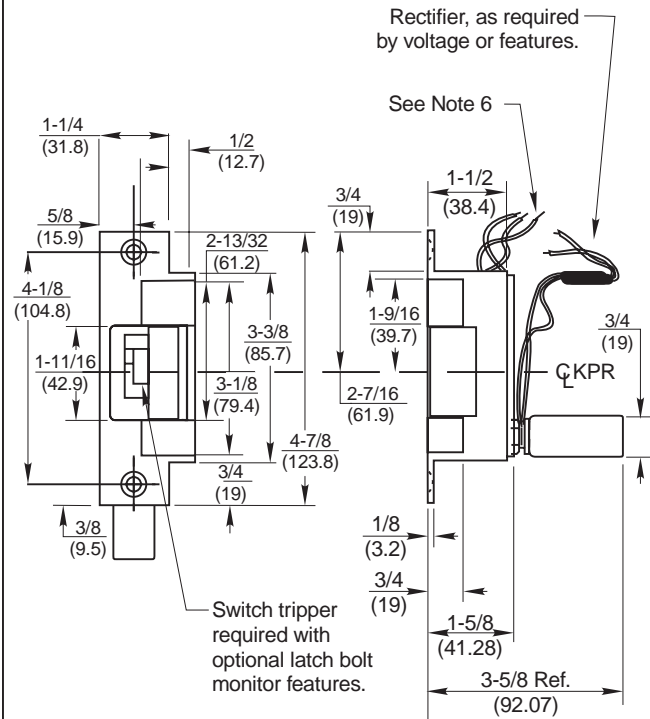
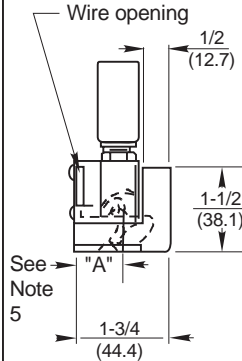
Center line of electric strike & latchbolt of lock must align.



Drill 1" (25.4) dia. hole for solenoid.

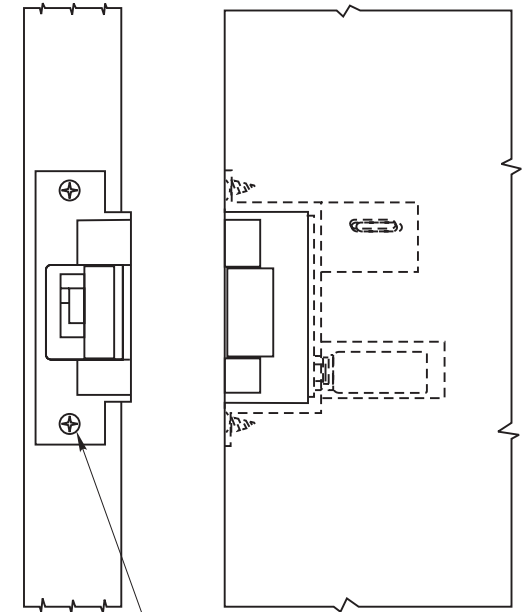
Additional mortise if rectifier is required.

**Model 732 Electric Strike**  
(Template)



**NOTES:**

1. DO NOT SCALE - All dimensions in inches (mm).
2. Dimensions subject to change without notice.
3. Number of wires will vary per features of strike.
4. Cut off all excess wire not req'd for installation.
5. Dimension "A" (Keeper Position) is adjustable from .80 to 1.00 (20.3 - 25.4). To adjust, loosen the two 8-32 RHMS which are used to mount strike, reposition strike, and retighten screws.
6. All wiring connections to be made in an electrical junction box. If a rectifier (optional) is used, it must be installed in the additional mortise.
7. 48 and 120 Volt strikes are not UL listed.
8. Door & frame manufacturers are responsible for providing adequate construction or reinforcements for proper installation of hardware.
9. Tolerances shown are for cutouts.
10. Wires to be run from side & rear of strike to conduit connection.
11. Requires a door coordinator.
12. Refer to catalog for standard & optional features.



12 x 1-1/2" Flat head Phillips wood screws  
2 Included

**732 Electric Strike LHRB or RH**  
For Inactive Leaf Of Wood Door



REF. REPAIR PART DWG.

**2500732**

P.O. BOX 25288, CHARLOTTE, NC 28229-8010

TEMPLATE NUMBER

**092-0250-024**

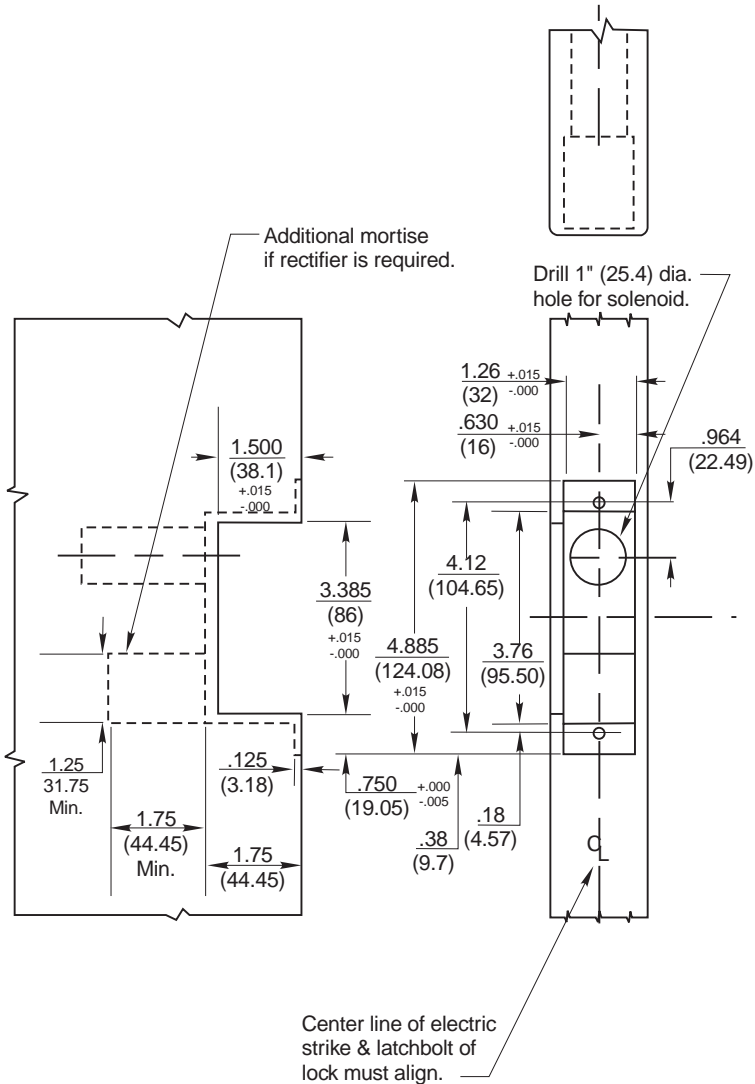
DATE

**9-98**

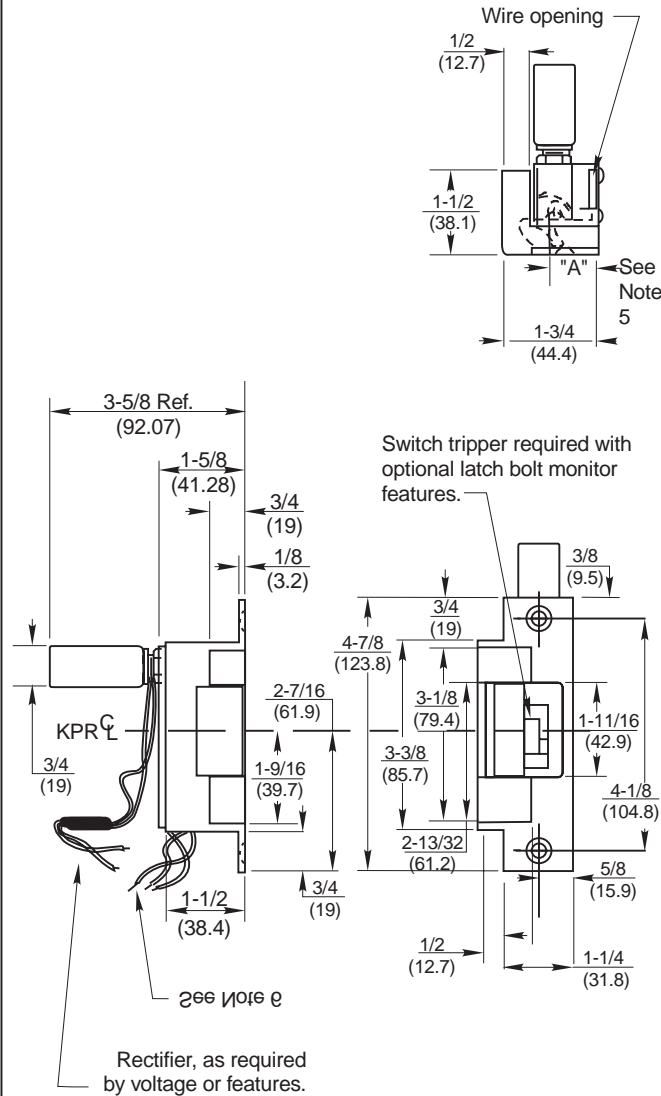
**Door Preparation (LHRB Application Shown)**

Drawing shows only one method of installation. Method of installation may vary per door & frame manufacturer.

Routing of wires for strike to be determined by door manufacturer.

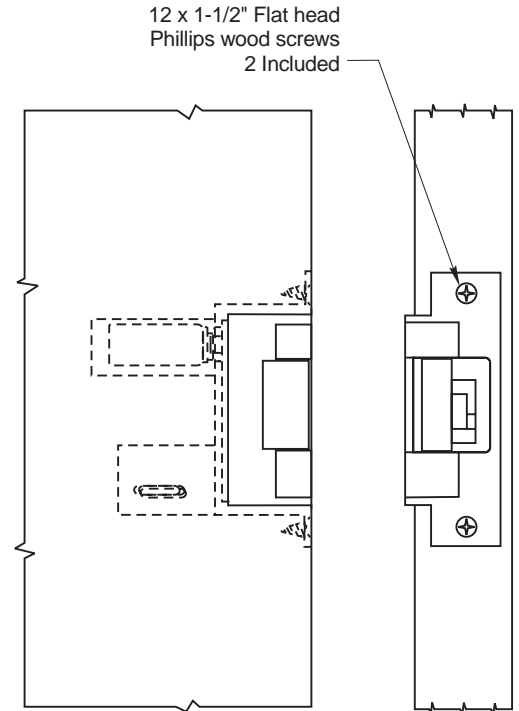


**Model 732 Electric Strike**  
(Template)



**NOTES:**

1. DO NOT SCALE - All dimensions in inches (mm).
2. Dimensions subject to change without notice.
3. Number of wires will vary per features of strike.
4. Cut off all excess wire not req'd for installation.
5. Dimension "A" (Keeper Position) is adjustable from .80 to 1.00 (20.3 - 25.4). To adjust, loosen the two 8-32 RHMS which are used to mount strike, reposition strike, and retighten screws.
6. All wiring connections to be made in an electrical junction box. If a rectifier (optional) is used, it must be installed in the additional mortise.
7. 48 and 120 Volt strikes are not UL listed.
8. Door & frame manufacturers are responsible for providing adequate construction or reinforcements for proper installation of hardware.
9. Tolerances shown are for cutouts.
10. Wires to be run from side & rear of strike to conduit connection.
11. Requires a door coordinator.
12. Refer to catalog for standard & optional features.



**732 Electric Strike RHRB or LH**  
For Inactive Leaf Or Wood Door



REF. REPAIR PART DWG.

**2500732**

P.O. BOX 25288, CHARLOTTE, NC 28229-010

TEMPLATE NUMBER

**092-0250-025**

DATE

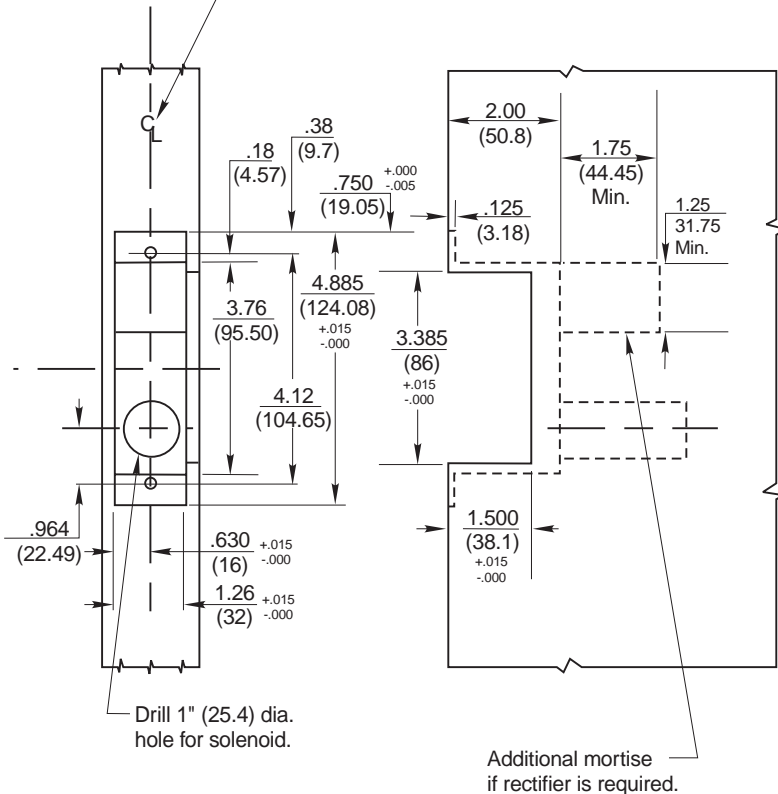
**9-98**

**Door Preparation (LHRB Application Shown)**

Drawing shows only one method of installation. Method of installation may vary per door & frame manufacturer.

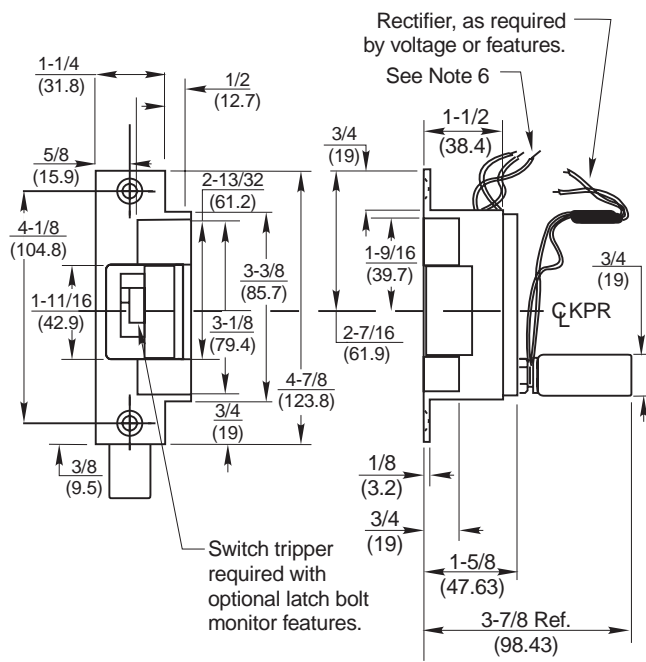
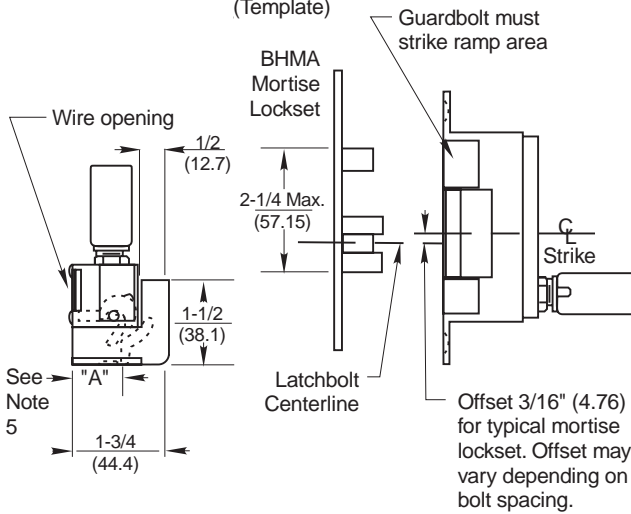
Routing of wires for strike to be determined by door manufacturer.

Center line of electric strike & latchbolt of lock must align.



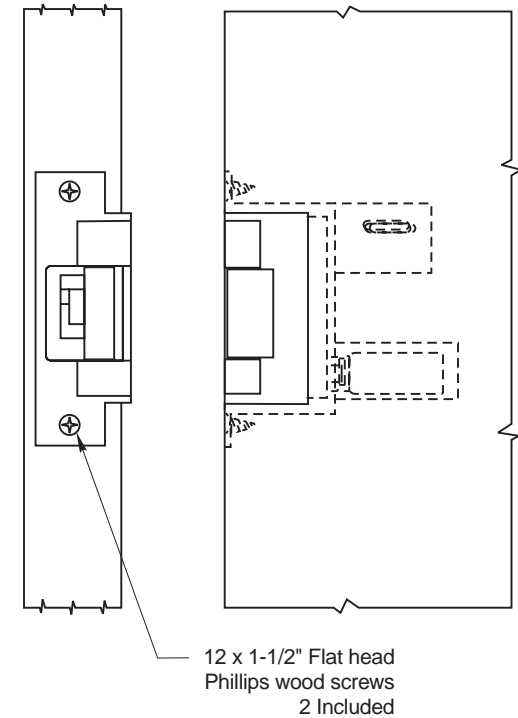
**Model 732-75 Electric Strike**

(Template)



**NOTES:**

1. DO NOT SCALE - All dimensions in inches (mm).
2. Dimensions subject to change without notice.
3. Number of wires will vary per features of strike.
4. Cut off all excess wire not req'd for installation.
5. Dimension "A" (Keeper Position) is adjustable from .80 to 1.00 (20.3 - 25.4). To adjust, loosen the two 8-32 RHMS which are used to mount strike, reposition strike, and retighten screws.
6. All wiring connections to be in an electrical junction box. If a rectifier (optional) is used, it must be installed at in the additional mortise.
7. 48 and 120 Volt strikes are not UL listed.
8. Door & frame manufacturers are responsible for providing adequate construction or reinforcements for proper installation of hardware.
9. Tolerances shown are for cutouts.
10. Wires to be run from side & rear of strike to conduit connection.
11. Requires a door coordinator.
12. Refer to catalog for standard & optional features.



**732-75 Electric Strike LHRB or RH**  
For Inactive Leaf Of Wood Door



REF. REPAIR PART DWG.

**2500732**

P.O. BOX 25288, CHARLOTTE, NC 28229-8010

TEMPLATE NUMBER

**092-0250-026**

DATE

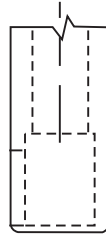
**9-98**



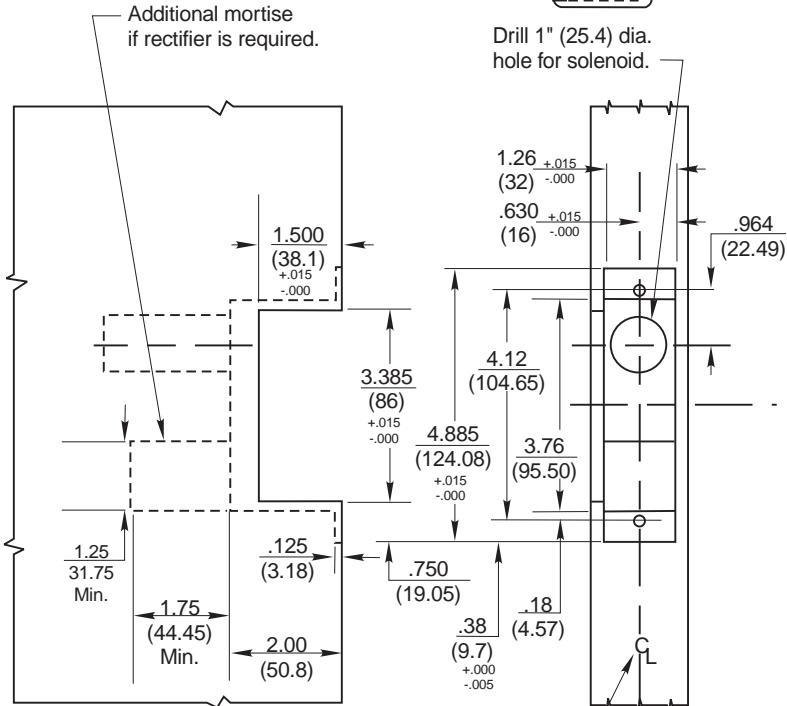
**Door Preparation (RHRB Application Shown)**

Drawing shows only one method of installation. Method of installation may vary per door & frame manufacturer.

Routing of wires for strike to be determined by door manufacturer.

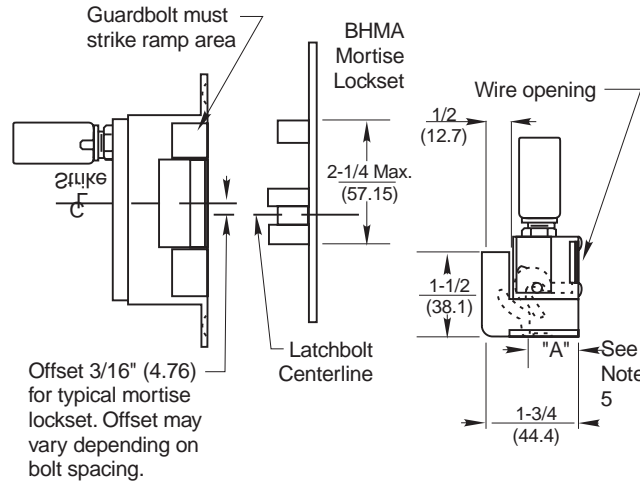


Drill 1" (25.4) dia. hole for solenoid.



Center line of electric strike & latchbolt of lock must align.

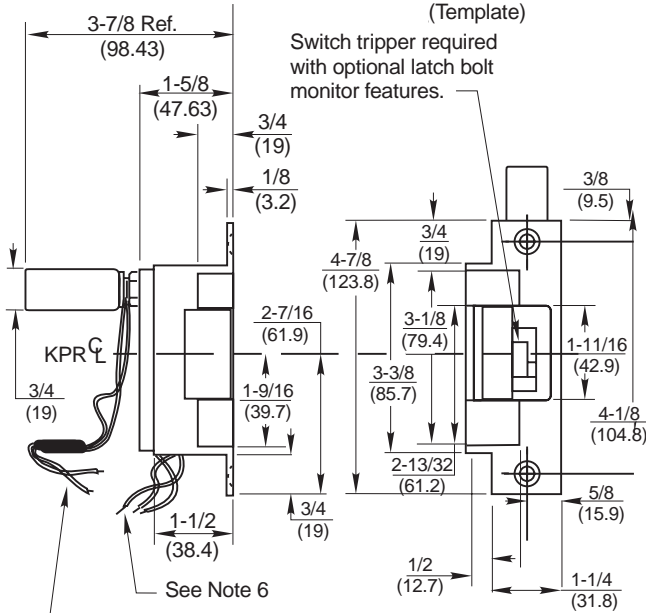
**Lock/Strike Mounting**



Offset 3/16" (4.76) for typical mortise lockset. Offset may vary depending on bolt spacing.

**Model 732-75 Electric Strike (Template)**

Switch tripper required with optional latch bolt monitor features.

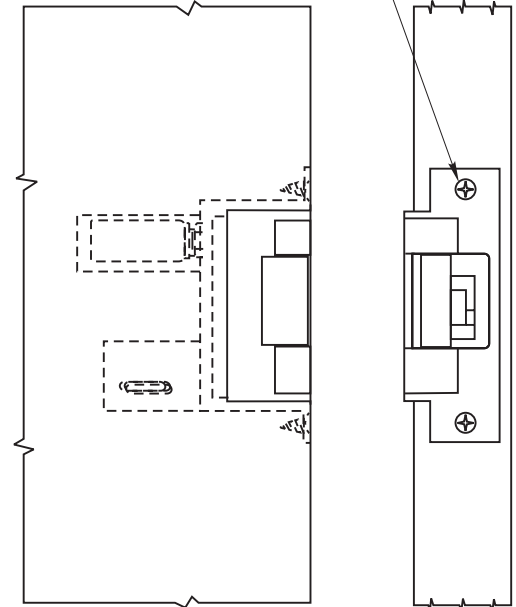


Rectifier, as required by voltage or features.

**NOTES:**

1. DO NOT SCALE - All dimensions in inches (mm).
2. Dimensions subject to change without notice.
3. Number of wires will vary per features of strike.
4. Cut off all excess wire not req'd for installation.
5. Dimension "A" (Keeper Position) is adjustable from .80 to 1.00 (20.3 - 25.4). To adjust, loosen the two 8-32 RHMS which are used to mount strike, reposition strike, and retighten screws.
6. All wiring connections to be made in an electrical junction box. If a rectifier (optional) is used, it must be installed in the additional mortise..
7. 48 and 120 Volt strikes are not UL listed.
8. Door & frame manufacturers are responsible for providing adequate construction or reinforcements for proper installation of hardware.
9. Tolerances shown are for cutouts.
10. Wires to be run from side & rear of strike to conduit connection.
11. Requires a door coordinator.
12. Refer to catalog for standard & optional features.

12 x 1-1/2" Flat head Phillips wood screws  
2 Included



**732-75 Electric Strike RHRB or LH  
For Inactive Leaf Of Wood Door**



REF. REPAIR PART DWG.

**2500732**

P.O. BOX 25288, CHARLOTTE, NC 28229-8010

TEMPLATE NUMBER

**092-0250-027**

DATE

**9-98**