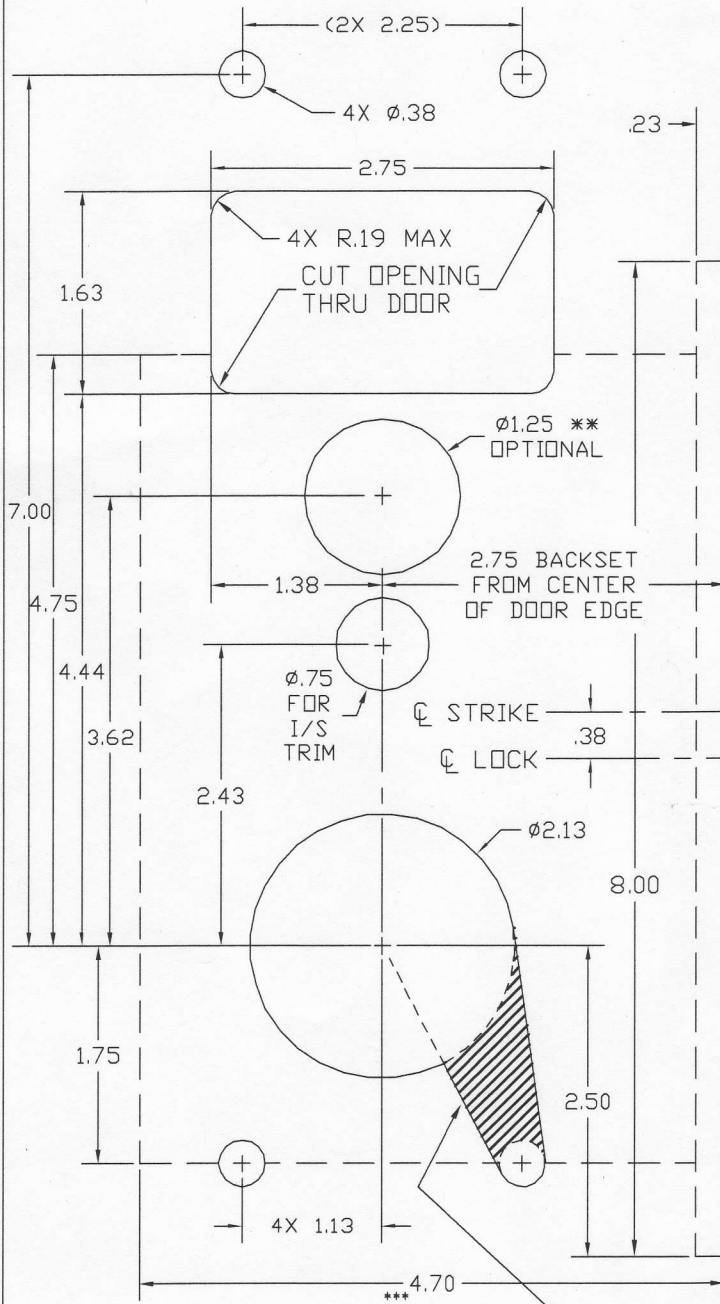


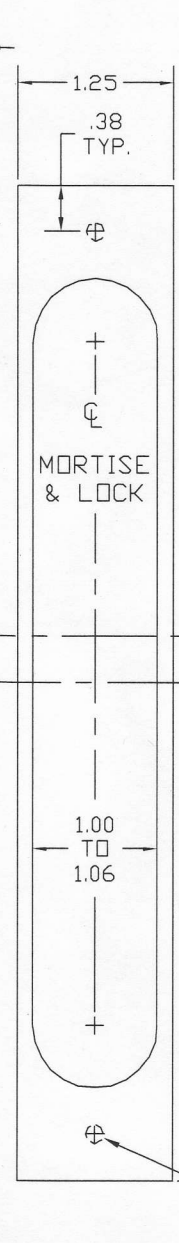
# DOOR PREP LAYOUT - ~~Saflok~~ MT, MKO, & DAJ

For Saflok MT installations with Saflok electric mortise lock.

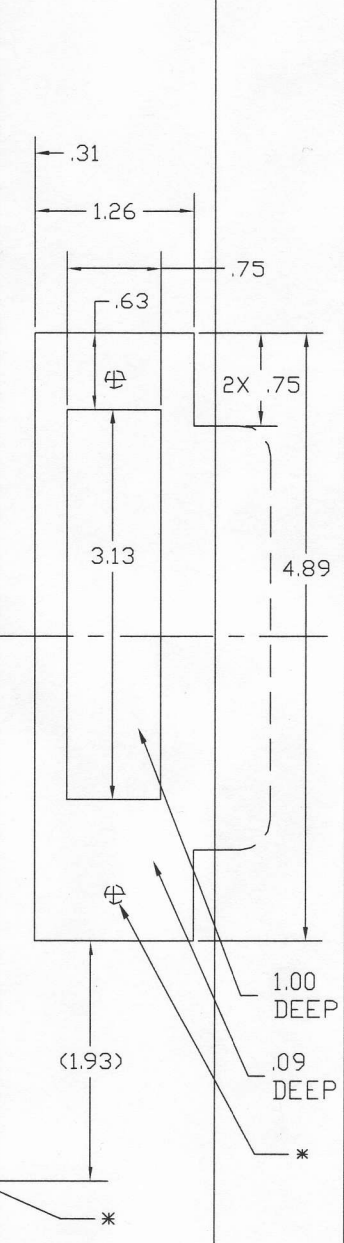
## DOOR FACE VIEW



## DOOR EDGE VIEW



## DOOR FRAME VIEW



Dimensional Tolerance:  $\pm .02$

1950 Austin • Troy, MI 48083  
(248) 680-8484 • FAX (248) 680-8468

NOT TO SCALE IF PRINTED ON 8-1/2 X 11  
CHECK SCALE ON LARGER PRINT BEFORE USING AS DOOR TEMPLATE

REMOVE MATERIAL ON INSIDE DOOR SURFACE ON WOOD DOORS.

\* .169(#18 Drill) Dia. for wood doors.  
12-24 tap for metal doors.  
Four places total.

\*\* For locks with mechanical key override cylinder option.

\*\*\* 4.70 for Door Ajar Mortise  
4.37 for STD mortise.

11/04/04 JJ SLMT DAJ STD 110404